

# LED Safety Light – Model 527

## 8200151

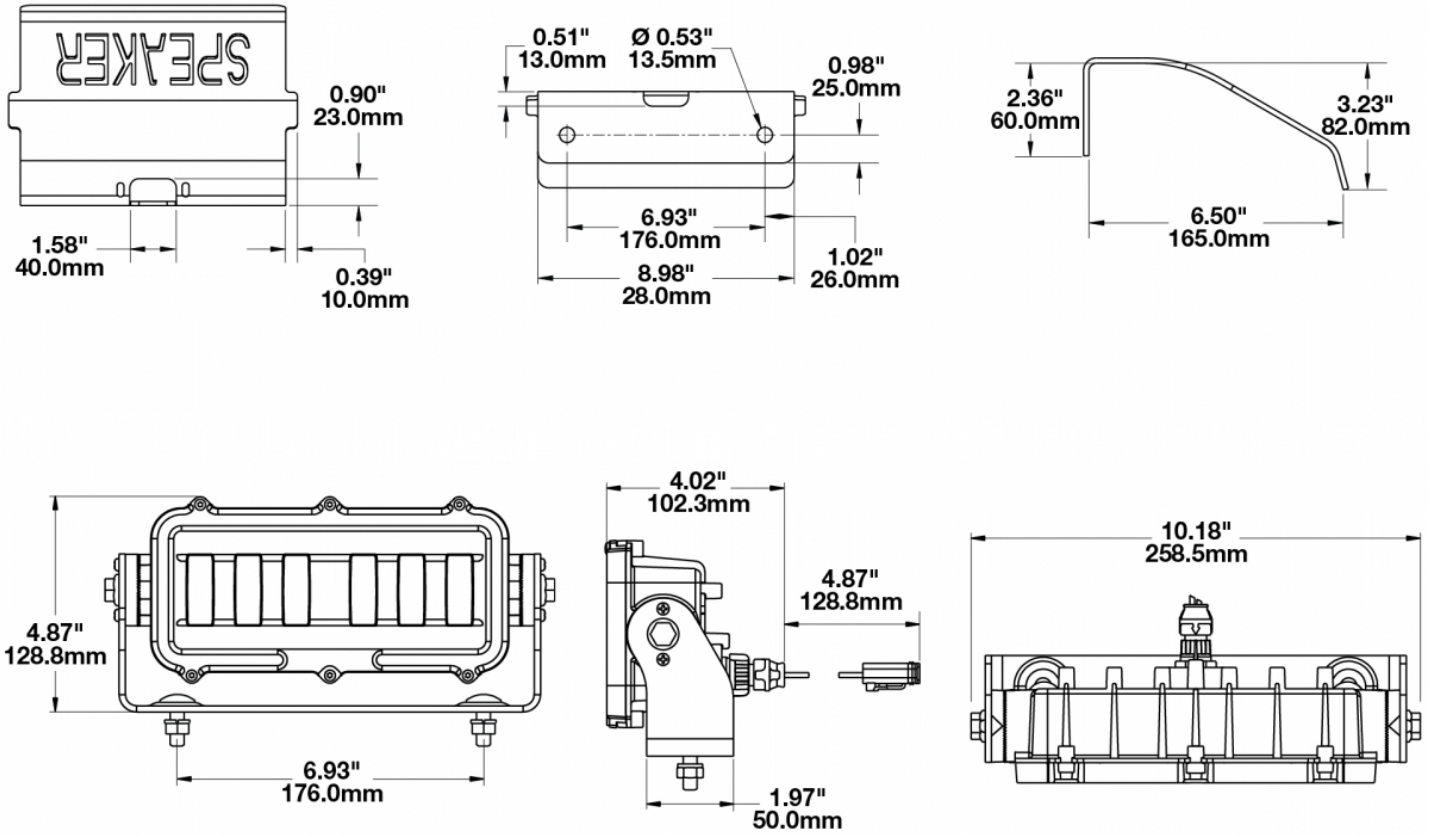
### Product Information



<b>Description</b>	Model 527 - Mine Shovel Rock Guard Kit
<b>Height</b>	171.45 mm / 6.75 in
<b>Width</b>	247.65 mm / 9.75 in
<b>Depth</b>	133.35 mm / 5.25 in
<b>Shape</b>	Rectangular
<b>Shipping Weight</b>	8.40 lbs / 3.81 kgs



Product Dimensions



Additional Specifications



Pack Quantity 1