

# LED Work Lights – Model 7150

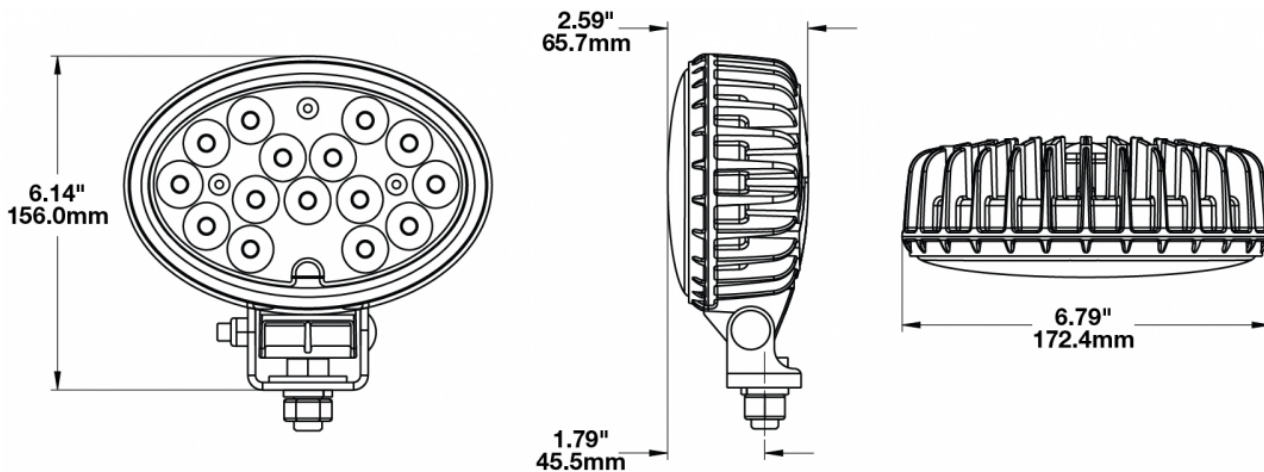
## 1801581

### Product Information

<b>Description</b>	Model 7150 - 12/24V LED Worklight - Flood Beam
<b>Height</b>	155.96 mm / 6.14 in
<b>Width</b>	172.47 mm / 6.79 in
<b>Depth</b>	77.11 mm / 3.04 in
<b>Shape</b>	Oval
<b>Outer Lens Material</b>	Polycarbonate
<b>Outer Lens Color</b>	Clear
<b>Housing Material</b>	Die-Cast Aluminum
<b>Housing Color</b>	Black
<b>Mounting Hardware Description</b>	(x1) 1/2"-13 x 1"
<b>Minimum Operating Temperature</b>	-40 °C
<b>Maximum Operating Temperature</b>	65 °C
<b>Connector or Wiring</b>	Deutsch DT04-2P
<b>Mating Connector</b>	Deutsch DT06-2S
<b>Product Weight</b>	2.10 lbs / 0.95 kgs
<b>Shipping Weight</b>	2.10 lbs / 0.95 kgs



### Product Dimensions



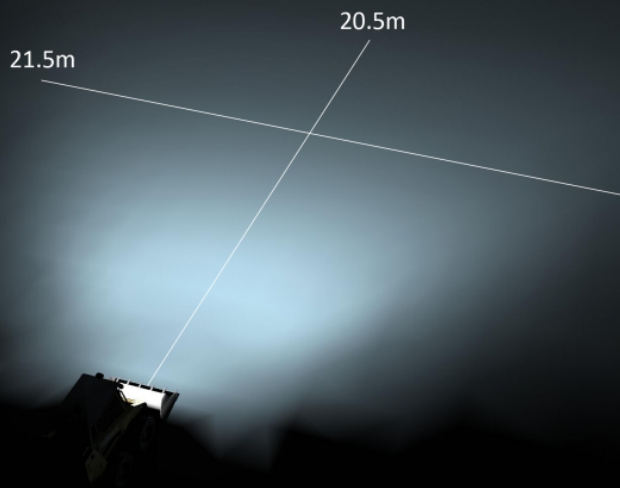
## Electrical Specifications

<b>Input Voltage</b>	12-24V DC
<b>Operating Voltage</b>	10-32V DC
<b>Transient Spike Protection</b>	330V Peak @ 1 HZ-100 Pulses
<b>Red Wire</b>	Power - Positive
<b>Black Wire</b>	Ground - Negative
<b>Current Draw</b>	5.50A @ 12V DC 3.20A @ 24V DC

## Photometric Specifications

<b>Raw Lumen Output</b>	5,400
<b>Effective Lumen Output</b>	4,500
<b>Nominal LED Color Temperature</b>	5000 K
<b>Beam Pattern(s)</b>	Forward Lighting - Flood (Standard)

Model 7150 - Flood Beam



Beam Measurements - 1 Lux

Lamp Mounting: 2.15m High -10° Down

## Additional Specifications

---



<b>IP Rating</b>	IP69K
<b>Warranty</b>	Please refer to the Warranty Statement which is available for download on the website
<b>Certification</b>	CISPR 12 & 22, SAEJ1113-13
<b>Pack Quantity</b>	1