

# LED Work Light – Model 7250 XD

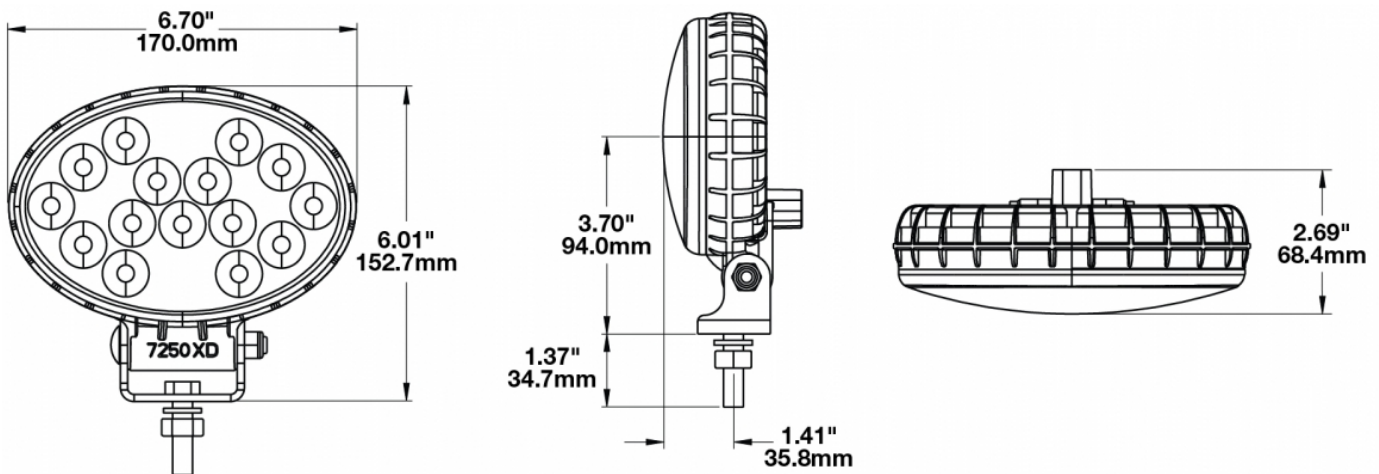
## 1801521

### Product Information

|                                      |  |
|--------------------------------------|--|
| <b>Description</b>                   | Model 7250XD - 12/24V LED Worklight - Flood Beam |
| <b>Height</b>                        | 152.40 mm / 6 in                                 |
| <b>Width</b>                         | 170.18 mm / 6.7 in                               |
| <b>Depth</b>                         | 68.58 mm / 2.7 in                                |
| <b>Shape</b>                         | Oval   |
| <b>Outer Lens Material</b>           | Polycarbonate                                    |
| <b>Outer Lens Color</b>              | Clear  |
| <b>Housing Material</b>              | Polycarbonate                                    |
| <b>Housing Color</b>                 | Black  |
| <b>Mounting Hardware Description</b> | (x1) 3/8-16 x 1.5" Stainless Steel Hex Head Bolt |
| <b>Minimum Operating Temperature</b> | -40 °C   |
| <b>Maximum Operating Temperature</b> | 65 °C  |
| <b>Connector or Wiring</b>           | Deutsch DT04-2P                                  |
| <b>Mating Connector</b>              | Deutsch DT06-2S                                  |
| <b>Shipping Weight</b>               | 2.80 lbs / 1.27 kgs                              |



### Product Dimensions



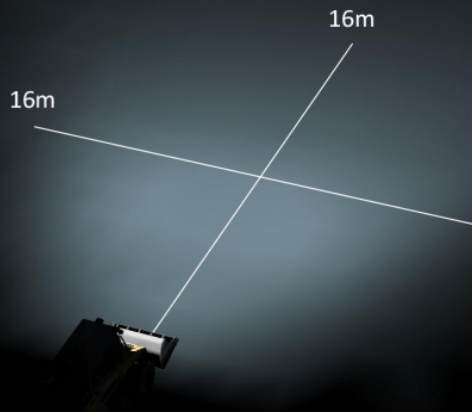
## Electrical Specifications

|                          |                                  |
|--------------------------|----------------------------------|
| <b>Input Voltage</b>     | 12-24V DC                        |
| <b>Operating Voltage</b> | 10-32V DC                        |
| <b>Black Wire</b>        | Ground                           |
| <b>Red Wire</b>          | Power                            |
| <b>Current Draw</b>      | 1.60A @ 12V DC<br>0.90A @ 24V DC |

## Photometric Specifications

|                                      |                                     |
|--------------------------------------|-------------------------------------|
| <b>Raw Lumen Output</b>              | 3,150                               |
| <b>Effective Lumen Output</b>        | 1,400                               |
| <b>Nominal LED Color Temperature</b> | 5000 K                              |
| <b>Beam Pattern(s)</b>               | Forward Lighting - Flood (Standard) |

Model 7250XD - Flood Beam



Beam Measurements - 1 Lux

Lamp Mounting: 2.15m High -10° Down

## Additional Specifications

---



|                      |   |
|----------------------|---|
| <b>IP Rating</b>     | IP69K   |
| <b>Warranty</b>      | Please refer to the Warranty Statement which is available for download on the website |
| <b>Certification</b> | CISPR 12 & 22, SAEJ1113-13  |
| <b>Pack Quantity</b> | 1   |