

LED Material Handling Safety Light – Model 770 RED

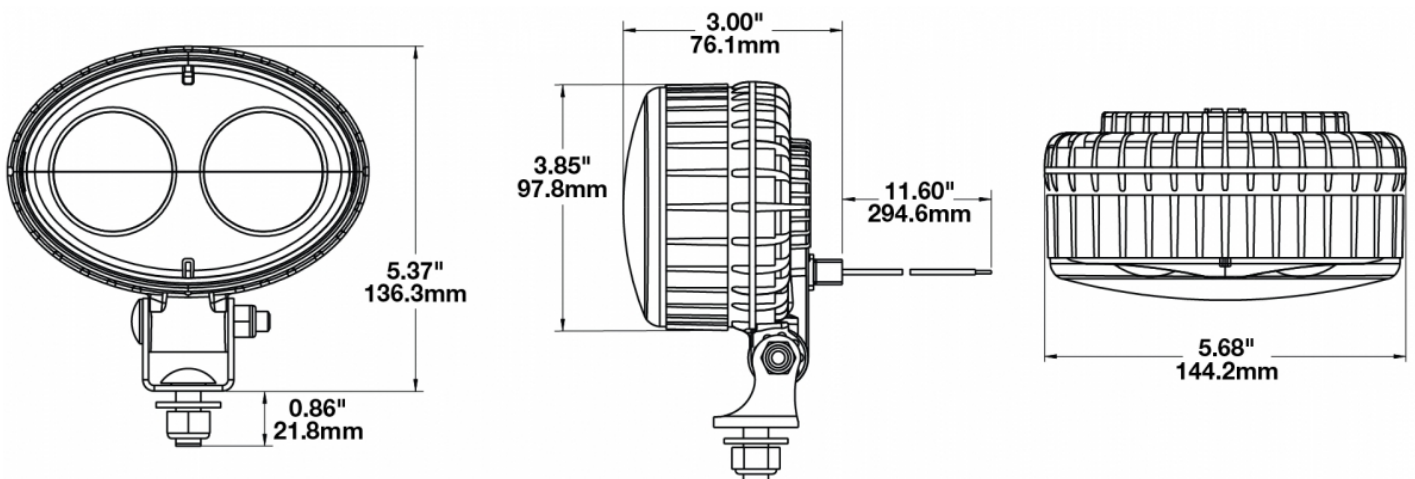
1706441

Product Information

Description	Model 770 - 12/110V LED Safety Light - Red 'Keep Out Zone'
Height	137.16 mm / 5.4 in
Width	144.27 mm / 5.68 in
Depth	87.88 mm / 3.46 in
Shape	Oval
Outer Lens Material	Polycarbonate
Outer Lens Color	Clear
Housing Material	Polycarbonate
Housing Color	Black
Mounting Hardware Description	(x1) M10-1.5 x 25mm
Mounting Type	Universal Pedestal Mount
Minimum Operating Temperature	-40 °C
Maximum Operating Temperature	65 °C
Connector or Wiring	Integrated
Mating Connector	AMP (#180923)
Product Weight	1.31 lbs / 0.59 kgs
Shipping Weight	1.31 lbs / 0.59 kgs



Product Dimensions



Electrical Specifications



Input Voltage	12-110V DC
Operating Voltage	9-120V DC
Red Wire	Positive
Black Wire	Negative
Current Draw	0.19A @ 12V DC 0.05A @ 60V DC 0.04A @ 110V DC 0.14A @ 48V DC

Photometric Specifications



Nominal LED Color Temperature	5000 K
Beam Pattern(s)	Forward Lighting - Spot

Additional Specifications



IP Rating	IP69K
Warranty	Please refer to the Warranty Statement which is available for download on the website
Certification	SAEJ1455, Tested to ECE Reg 10 (Radiated Emissions Only)
Pack Quantity	1