

LED Work Light – Model 526

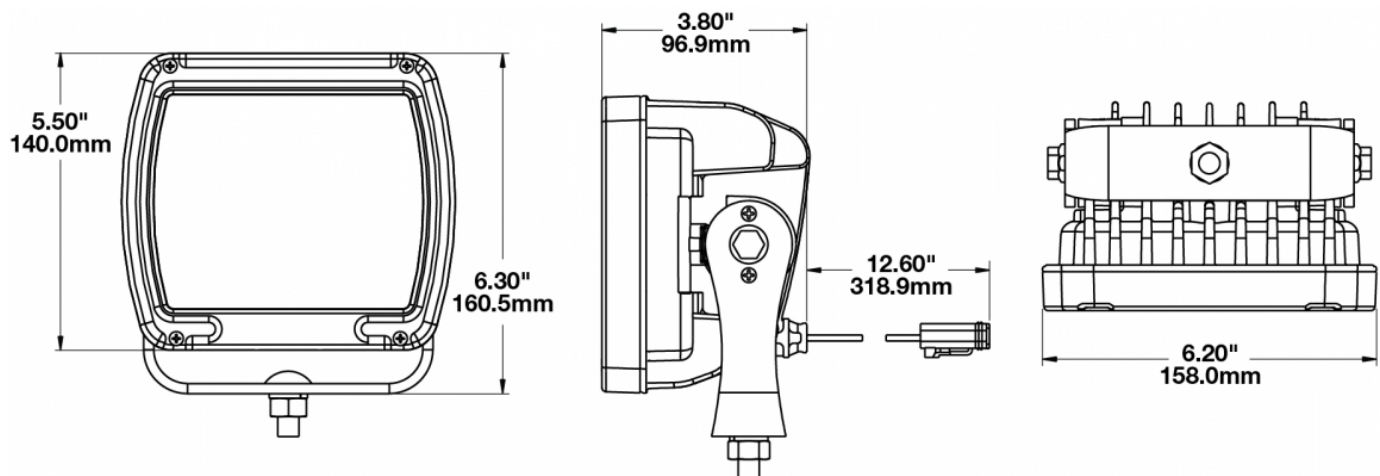
1300191

Product Information

Description	Model 526XL - 12V LED Worklight - Anti Glare Beam (Low Beam) (Yellow Housing)
Height	160.02 mm / 6.3 in
Width	157.48 mm / 6.2 in
Depth	96.52 mm / 3.8 in
Shape	Square
Outer Lens Material	Polycarbonate
Outer Lens Color	Clear
Housing Material	Die-Cast Aluminum
Housing Color	Yellow
Mounting Hardware Description	(x1) M10-1.5 x 25 Mounting Bolt
Mounting Type	Universal Pedestal Mount
Minimum Operating Temperature	-40 °C
Maximum Operating Temperature	65 °C
Connector or Wiring	iCONN Connector - iMATE23
Product Weight	4.50 lbs / 2.04 kgs
Shipping Weight	4.83 lbs / 2.19 kgs



Product Dimensions



Electrical Specifications



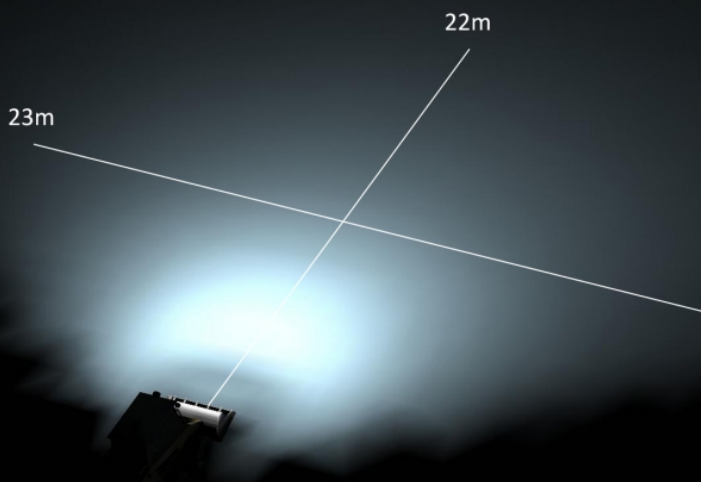
Input Voltage	12V DC
Operating Voltage	12V DC
Red Wire	Positive
Black Wire	Negative
Current Draw	9.00A @ 12V DC

Photometric Specifications



Raw Lumen Output	9,000
Effective Lumen Output	5,500
Nominal LED Color Temperature	5700 K

Model 526 - Anti Glare Low Beam



Beam Measurements - 1 Lux

Lamp Mounting: 2.15m High -10° Down

Additional Specifications



IP Rating	IP69K
Warranty	Please refer to the Warranty Statement which is available for download on the website
Pack Quantity	1