

# LED Work Light – Model 832

# 1300181

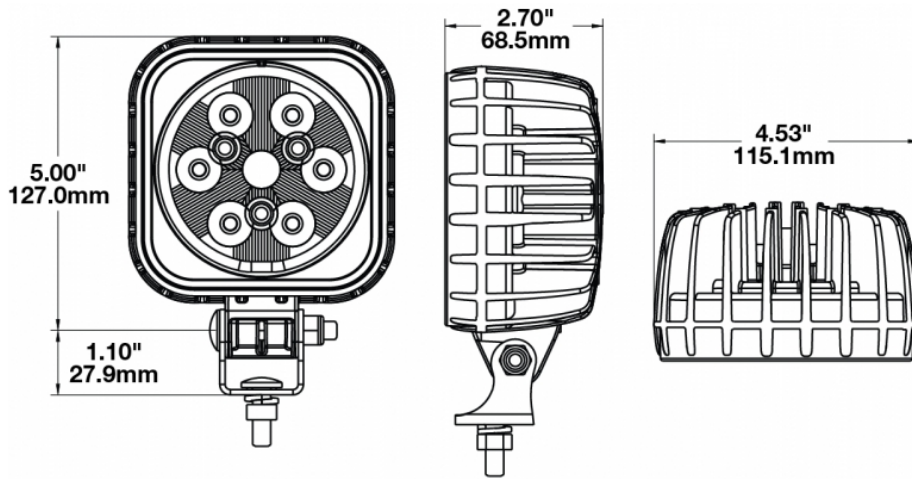
## Product Information



<b>Description</b>	Model 832 - 12/24V LED Worklight - Flood Beam
<b>Height</b>	154.94 mm / 6.1 in
<b>Width</b>	115.06 mm / 4.53 in
<b>Depth</b>	68.58 mm / 2.7 in
<b>Shape</b>	Square
<b>Outer Lens Material</b>	Polycarbonate
<b>Outer Lens Color</b>	Clear
<b>Housing Material</b>	Die-Cast Aluminum
<b>Housing Color</b>	Black
<b>Mounting Hardware Description</b>	(x1) 5/16"-18 x 0.58" Mounting Bolt
<b>Mounting Type</b>	Universal Pedestal Mount
<b>Minimum Operating Temperature</b>	-40 °C
<b>Maximum Operating Temperature</b>	65 °C
<b>Connector or Wiring</b>	Integrated 2-Pin Deutsch Weather-Proof Socket (DT04-2P)
<b>Mating Connector</b>	2-Pin Deutsch Weather-Proof Plug (DT06-2S)
<b>Product Weight</b>	1.65 lbs / 0.75 kgs
<b>Shipping Weight</b>	1.82 lbs / 0.83 kgs



## Product Dimensions



## Electrical Specifications

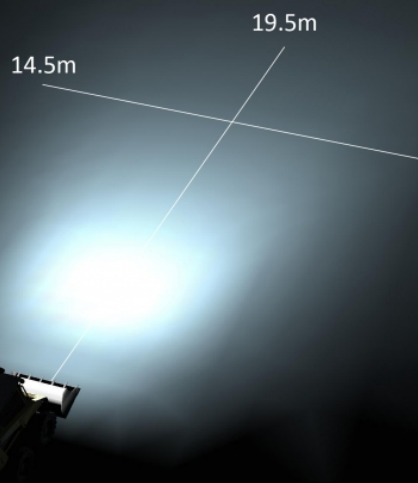
<b>Input Voltage</b>	12-24V DC
<b>Operating Voltage</b>	10-32V DC
<b>Red Wire</b>	Positive
<b>Black Wire</b>	Negative
<b>Current Draw</b>	3.5A @ 12V DC 1.75A @ 24V DC

## Photometric Specifications



<b>Raw Lumen Output</b>	3,900
<b>Effective Lumen Output</b>	2,400
<b>Nominal LED Color Temperature</b>	5700 K
<b>Beam Pattern(s)</b>	Forward Lighting - Flood (Standard)

Model 832 - Flood Beam



Beam Measurements - 1 Lux

Lamp Mounting: 2.15m High -10° Down

## Additional Specifications



<b>IP Rating</b>	IP69K
<b>Warranty</b>	Please refer to the Warranty Statement which is available for download on the website
<b>Pack Quantity</b>	1