

LED Work Light – Model 832

1300161

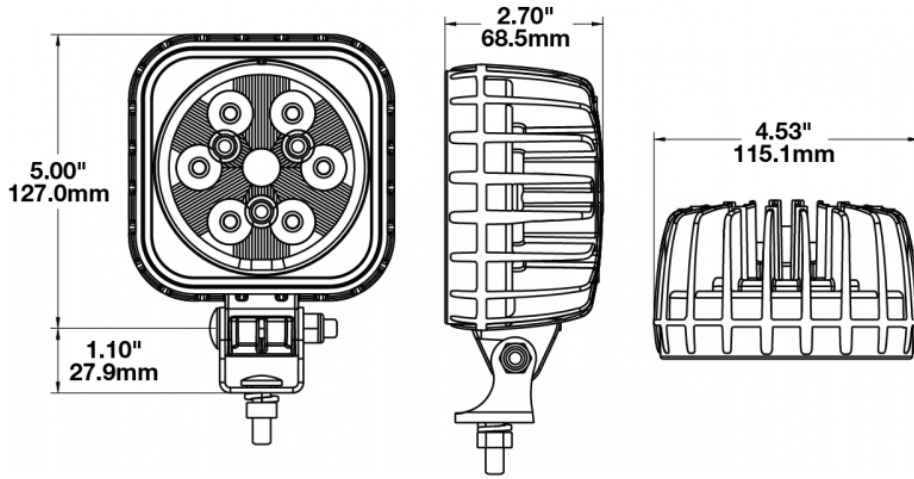
Product Information



Description	Model 832 - 12/24V LED Worklight - Spot Beam
Height	154.94 mm / 6.1 in
Width	115.06 mm / 4.53 in
Depth	68.58 mm / 2.7 in
Shape	Square
Outer Lens Material	Polycarbonate
Outer Lens Color	Clear
Housing Material	Die-Cast Aluminum
Housing Color	Black
Mounting Hardware Description	(x1) 5/16"-18 x 0.58" Mounting Bolt
Mounting Type	Universal Pedestal Mount
Minimum Operating Temperature	-40 °C
Maximum Operating Temperature	65 °C
Connector or Wiring	Integrated 2-Pin Deutsch Weather-Proof Socket (DT04-2P)
Mating Connector	2-Pin Deutsch Weather-Proof Plug (DT06-2S)
Product Weight	1.65 lbs / 0.75 kgs
Shipping Weight	1.82 lbs / 0.83 kgs



Product Dimensions



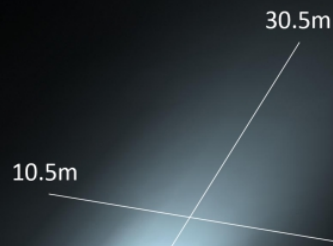
Electrical Specifications

Input Voltage	12-24V DC
Operating Voltage	10-32V DC
Red Wire	Positive
Black Wire	Negative
Current Draw	3.50A @ 12V DC 1.75A @ 24V DC

Photometric Specifications

Raw Lumen Output	3,900
Effective Lumen Output	2,500
Nominal LED Color Temperature	5700 K
Beam Pattern(s)	Forward Lighting - Spot

Model 832 - Spot Beam



Beam Measurements - 1 Lux

Lamp Mounting: 2.15m High -10° Down

Additional Specifications

IP Rating	IP69K
Warranty	Please refer to the Warranty Statement which is available for download on the website
Pack Quantity	1