

LED Strobe Light – Model 539

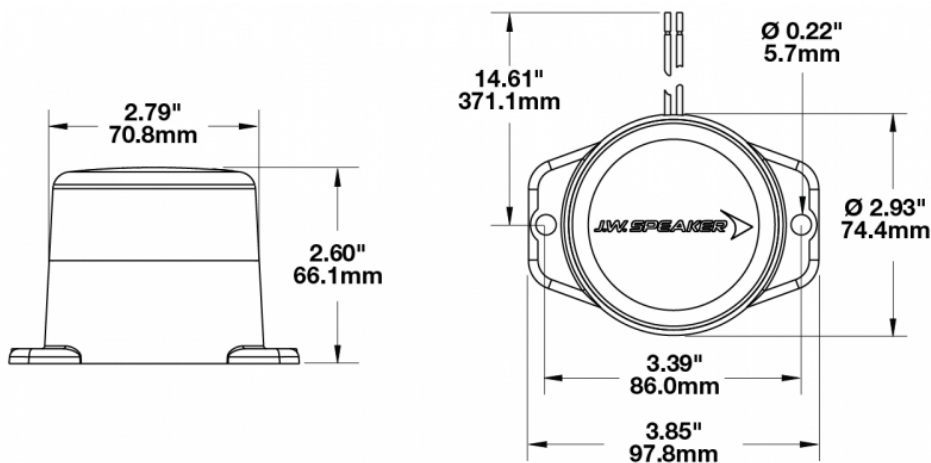
0646451

Product Information

Description	Model 539 - 12/80V LED Strobe Light - Red
Height	66.10 mm / 2.6 in
Width	70.80 mm / 2.79 in
Depth	70.80 mm / 2.79 in
Shape	Round
Outer Lens Material	Acrylic
Outer Lens Color	Clear
Housing Material	Polycarbonate
Housing Color	Black
Minimum Operating Temperature	-40 °C
Maximum Operating Temperature	65 °C
Connector or Wiring	13.5" Bare Leads
Product Weight	0.30 lbs / 0.14 kgs
Shipping Weight	1.51 lbs / 0.68 kgs



Product Dimensions



Electrical Specifications



Input Voltage	12-80VDCV DC
Operating Voltage	12-80VDCV DC
Red Wire	Positive
Black Wire	Negative
Current Draw	0.256A @ 12V DC 0.088A @ 48V DC 0.076A @ 80V DC

Photometric Specifications



Beam Pattern(s)	Warning - Strobe
Flash Rate 1	60 +/- 10 fpm

Additional Specifications



Warranty	Please refer to the Warranty Statement which is available for download on the website
Pack Quantity	1