

LED Strobe Light – Model 538

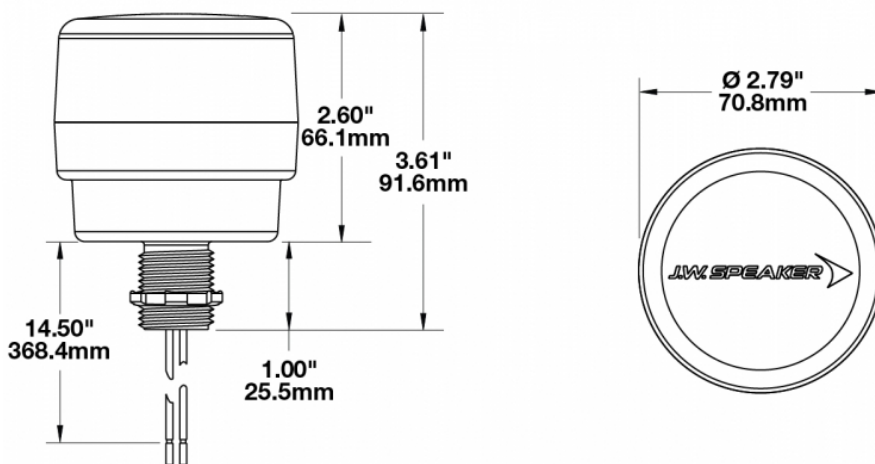
0646411

Product Information

| | |
|--------------------------------------|---|
| Description | Model 538 - 12/80V LED Strobe Light - Green |
| Height | 91.60 mm / 3.61 in |
| Width | 70.80 mm / 2.79 in |
| Depth | 70.80 mm / 2.79 in |
| Shape | Round |
| Outer Lens Material | Acrylic |
| Outer Lens Color | Clear |
| Housing Material | Polycarbonate |
| Housing Color | Black |
| Minimum Operating Temperature | -40 °C |
| Maximum Operating Temperature | 65 °C |
| Connector or Wiring | 13.5" Bare Leads |
| Product Weight | 0.30 lbs / 0.14 kgs |
| Shipping Weight | 1.51 lbs / 0.68 kgs |



Product Dimensions



Electrical Specifications



| | |
|--------------------------|---|
| Input Voltage | 12-80VDCV DC |
| Operating Voltage | 12-80VDCV DC |
| Red Wire | Positive |
| Black Wire | Negative |
| Current Draw | 0.256A @ 12V DC 0.088A @ 48V DC 0.076A @ 80V DC |

Photometric Specifications



| | |
|------------------------|------------------|
| Beam Pattern(s) | Warning - Strobe |
| Flash Rate 1 | 60 +/- 10 fpm |

Additional Specifications



| | |
|----------------------|---|
| Warranty | Please refer to the Warranty Statement which is available for download on the website |
| Pack Quantity | 1 |