

LED Amber Flashing Warning Light – Model 146

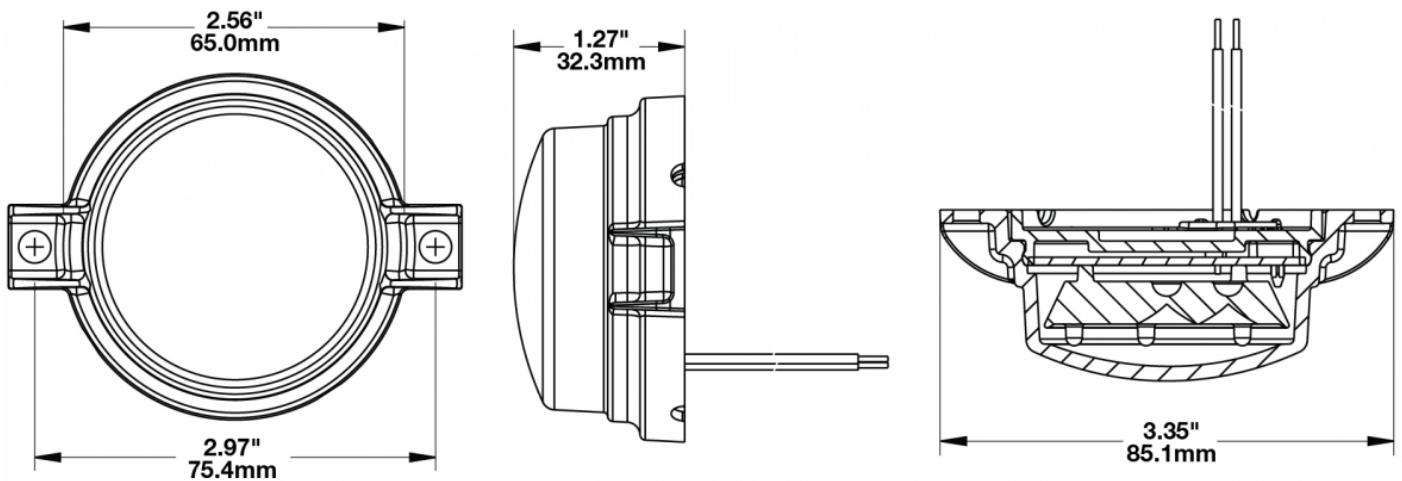
0646321

Product Information

Description	Model 146 - 12/48V Warning Light - Amber
Height	32.26 mm / 1.27 in
Width	85.09 mm / 3.35 in
Depth	65.02 mm / 2.56 in
Shape	Round
Outer Lens Material	Polycarbonate
Outer Lens Color	Amber
Housing Material	Polycarbonate
Housing Color	Black
Mounting Type	Low Profile Mount
Minimum Operating Temperature	-40 °C
Maximum Operating Temperature	65 °C
Connector or Wiring	6" Bare Leads
Shipping Weight	0.34 lbs / 0.15 kgs



Product Dimensions



Electrical Specifications



Input Voltage	12-48V DC
Red Wire	Positive
Black Wire	Negative
Current Draw	0.075 - 0.100 A @ 12V DC 0.035 - 0.050 A @ 24V DC 0.020 - 0.035 A @ 36V DC 0.018 - 0.030 A @ 48V DC

Photometric Specifications



Beam Pattern(s)	Warning - Flashing Warning
------------------------	----------------------------

Additional Specifications



IP Rating	IP67
Warranty	Please refer to the Warranty Statement which is available for download on the website
Pack Quantity	1