

LED Jeep Fog Lights – Model 6145 J2

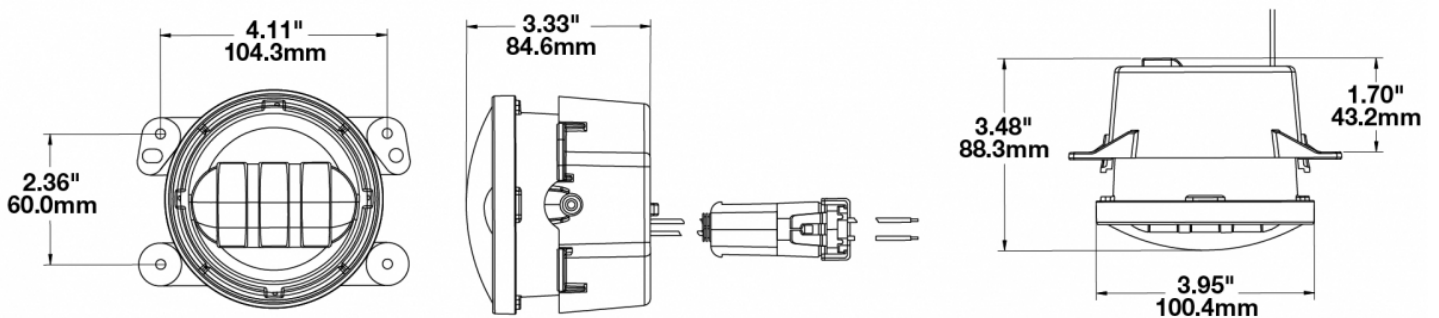
0554573

Product Information

| | |
|--------------------------------------|--|
| Description | Model 6145 J2 - 12V LED Fog Light Inserts (For Jeep) - Black |
| Height | 100.80 mm / 3.97 in |
| Width | 125.73 mm / 4.95 in |
| Depth | 88.39 mm / 3.48 in |
| Shape | Round |
| Outer Lens Material | Hardcoated Polycarbonate |
| Outer Lens Color | Clear |
| Housing Material | Die-Cast Aluminum |
| Housing Color | Black |
| Bezel Color | Black |
| Retrofits | Jeep, Dodge, PT and Chrysler |
| Minimum Operating Temperature | -40 °C |
| Maximum Operating Temperature | 65 °C |
| Mating Connector | Packard #12059183 |
| Shipping Weight | 2.30 lbs / 1.04 kgs |



Product Dimensions

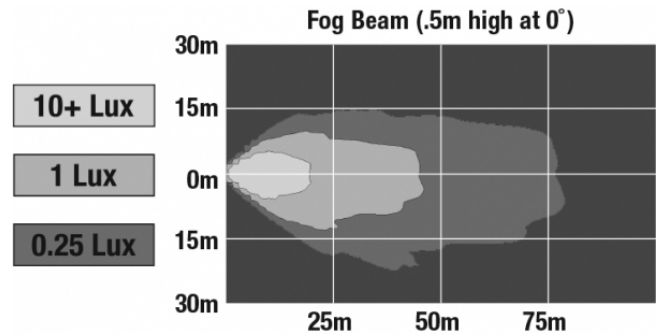


Electrical Specifications

| | |
|--------------------------|----------------|
| Input Voltage | 12V DC |
| Operating Voltage | 10-15V DC |
| Red Wire | Positive |
| Black Wire | Negative |
| Current Draw | 1.60A @ 12V DC |

Photometric Specifications

| | |
|--------------------------------------|------------------------|
| Raw Lumen Output | 1,080 |
| Effective Lumen Output | 610 |
| Nominal LED Color Temperature | 5000 K |
| Beam Pattern(s) | Forward Lighting - Fog |



Additional Specifications

| | |
|----------------------|---|
| IP Rating | IP67 |
| Warranty | Please refer to the Warranty Statement which is available for download on the website |
| Certification | ECE Reg 19, SAE J583, Tested to ECE Reg 10 (Radiated Emissions Only) |
| Pack Quantity | 2 |

Installation & Application Information

The Model 6145 J2 Series fog lights are designed exclusively for Jeep Fog Lights, intended for 2007 & newer model year Jeep Wranglers. Splicing required.