

LED Jeep Headlights – Model 8700 Evolution J2

0553993

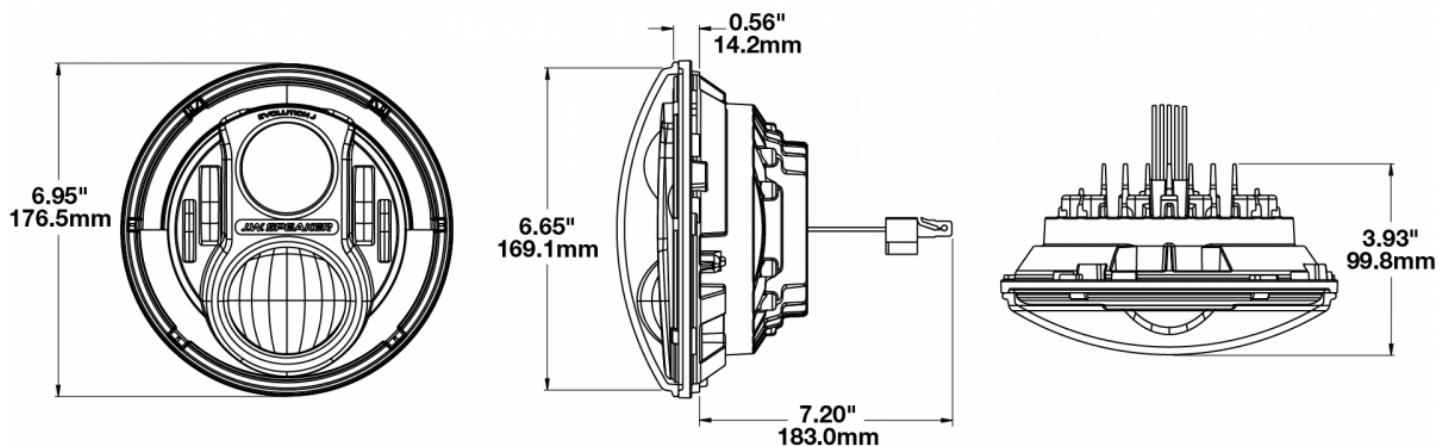


Product Information

Description	Model 8700 EVO J2 - 12V LED Headlight Insert (For Jeep) - Carbon
Height	176.53 mm / 6.95 in
Width	176.53 mm / 6.95 in
Depth	99.82 mm / 3.93 in
Shape	Round
Outer Lens Material	Polycarbonate
Outer Lens Color	Clear
Housing Material	Die-Cast Aluminum
Retrofits	7" round headlights or 2D1 PAR56
Minimum Operating Temperature	-40 °C
Maximum Operating Temperature	65 °C
Connector or Wiring	H4
Mating Connector	H4 AMP 172615-2
Product Weight	2.31 lbs / 1.05 kgs
Shipping Weight	6.55 lbs / 2.97 kgs



Product Dimensions

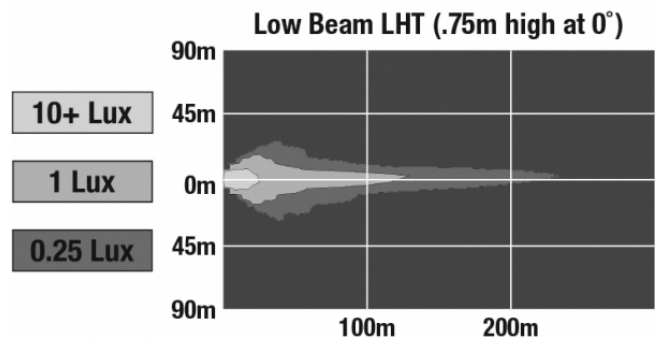
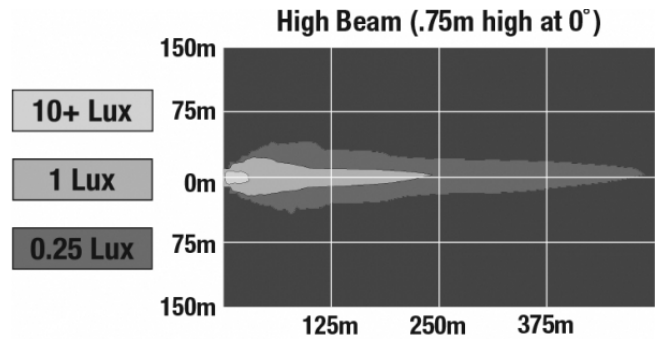


Electrical Specifications

Input Voltage	12V DC
Operating Voltage	9-16V DC
Black Wire	Ground
White Wire	High Beam
Yellow Wire	Low Beam
Red Wire	Front Position
Blue Wire	DRL
Current Draw	4.20A @ 12V DC (High Beam) 2.00A @ 12V DC (Low Beam) 1.60A @ 12V DC (DRL) 0.16A @ 12V DC (Front Position)

Photometric Specifications

Raw Lumen Output	3,200 (High Beam); 1,770 (Low Beam)
Effective Lumen Output	1,260 (High Beam); 750 (Low Beam)
Candela Output	71,500 (High Beam); 35,003 (Low Beam)
Nominal LED Color Temperature	5000 K
Beam Pattern(s)	Forward Lighting - Daytime Running Light Forward Lighting - High Beam (DOT/ECE) Forward Lighting - Low Beam (ECE Left Hand) Signalization - Front Position



Additional Specifications ▼

IP Rating	IP67
Warranty	Please refer to the Warranty Statement which is available for download on the website
Certification	ECE Reg 7, 87 & 112
Pack Quantity	2

Installation & Application Information ▼

The Model 8700 Evolution J2 Series is intended for use on 2007+ Jeep Wranglers & Jeep Wrangler Unlimited.

This series will fit 2017 Jeep JK models. However, it is only plug & play for the following models (identified with an X below). All others will need to be modified with a ring kit.


Jeep Model	Type of Standard Lights	J.W. Speaker Mounting Ring Kit Required for LED Upgrades
Chief	LED	Yes
Rubicon	LED	Yes
Rubicon Hard Rock	LED	Yes
Rubicon Recon	LED	Yes
Sahara	LED	Yes
Smoky Mountain	LED	Yes
Winter	LED	Yes
75th Anniversary Edition	LED	Yes <i>(No, if equipped with halogen)</i>
Big Bear	Halogen	No
Freedom Edition	Halogen	No
Sport	Halogen	No
Sport S	Halogen	No
Willys Wheeler	Halogen	No

Additional Information



This light has been updated with Dual Burn™ high beam optics.

This technology combines your high and low beam when turning on your high beam, providing the driver with both widespread visibility along with a powerful punch of light down the road.

 J2 Series Dual Burn & Optic Functions