

Reflector LED Headlights – Model 8620

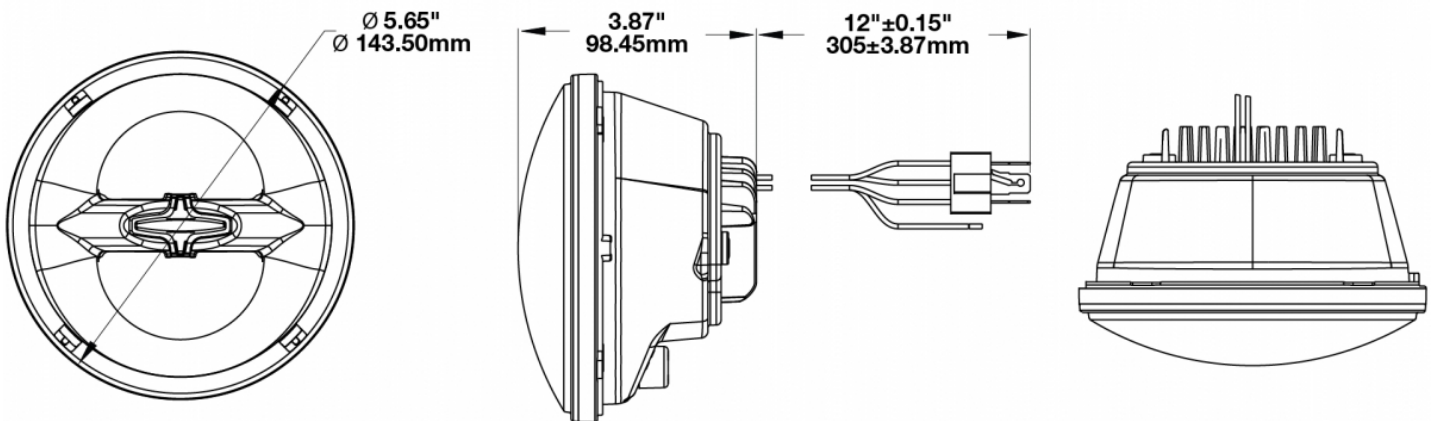
0553011

Product Information

Description	Model 8620 - 12V LED Motorcycle Headlight Insert Headlight Insert
Height	145.00 mm / 5.71 in
Width	145.00 mm / 5.71 in
Depth	98.50 mm / 3.88 in
Shape	Round
Outer Lens Material	Polycarbonate
Outer Lens Color	Clear
Housing Color	Black
Bezel Color	Chrome
Retrofits	Bucket 5.75" Round Headlights (PAR46)
Connector or Wiring	H4
Mating Connector	H4 AMP#172515-2
Shipping Weight	2.45 lbs / 1.11 kgs
Additional Information	<input type="checkbox"/> Includes H-4 connector with 4th front position wire for ECE compliance.



Product Dimensions

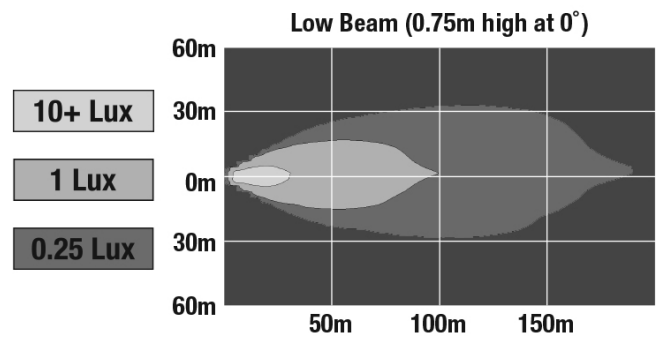
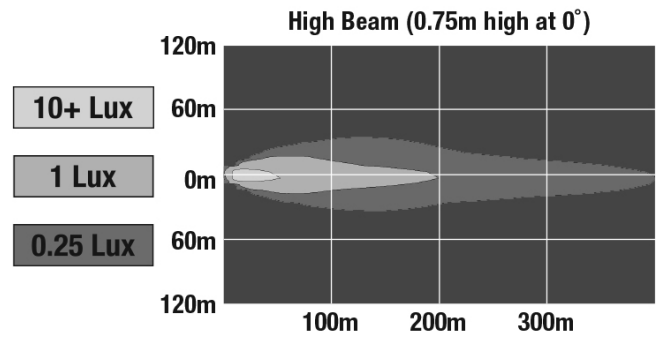


Electrical Specifications

Input Voltage	12V DC
Operating Voltage	9-16V DC
Black Wire	Ground
White Wire	High Beam
Yellow Wire	Low Beam
Red Wire	Front Position
Current Draw	2.67A @ 12V DC (High Beam) 1.67A @ 12V DC (Low Beam) 0.13A @ 12V DC (Front Position)

Photometric Specifications

Raw Lumen Output	1,620 (High Beam); 925 (Low Beam)
Effective Lumen Output	850 (High Beam); 500 (Low Beam)
Candela Output	41,000 (High Beam); 12,110 (Low Beam)
Nominal LED Color Temperature	5000 K
Beam Pattern(s)	Forward Lighting - High Beam (DOT/ECE) Forward Lighting - Low Beam (DOT/ECE) Signalization - Front Position



Additional Specifications



IP Rating	IP67
Warranty	Please refer to the Warranty Statement which is available for download on the website
Certification	ECE Reg 50 & 113, Tested to ECE Reg 10 (Radiated Emissions Only), FMVSS 108 Table XX, SAEJ584
Pack Quantity	1