

LED Safety Light – Model 4415

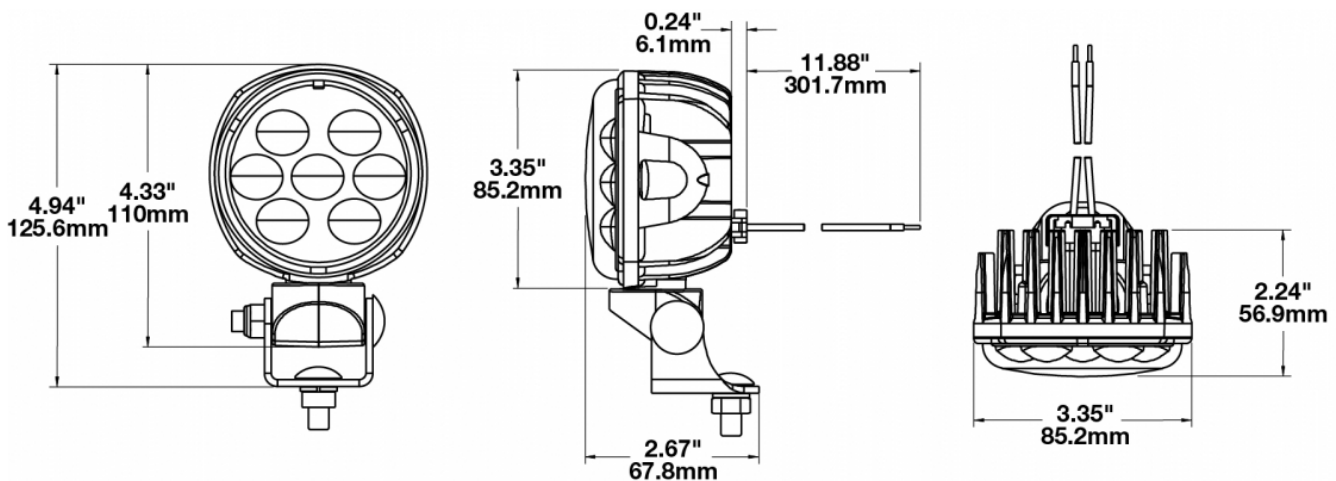
0552991

Product Information

Description	Model 4415 - 12/110V LED Safety Light - Blue 'Keep Out Zone'
Height	110.00 mm / 4.33 in
Width	85.20 mm / 3.35 in
Depth	56.90 mm / 2.24 in
Shape	Round
Outer Lens Material	Polycarbonate
Outer Lens Color	Clear
Housing Material	Die-Cast Aluminum
Housing Color	Black
Mounting Hardware Description	(x1) M8-20 x 1.25 Mounting Bolt Black ZP
Mating Connector	Packard Delphi 12059183
Shipping Weight	1.10 lbs / 0.5 kgs



Product Dimensions

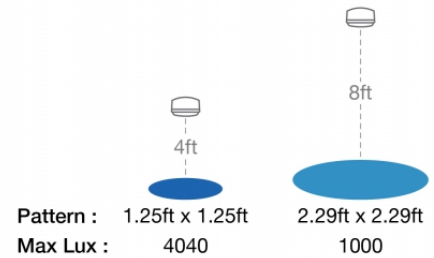


Electrical Specifications

Input Voltage	12-110V DC
Red Wire	Power
Black Wire	Ground
Current Draw	1.50A @ 12V DC 1.05A @ 24V DC 0.51A @ 48V DC 0.40A @ 60V DC 0.25A @ 110V DC

Photometric Specifications

Effective Lumen Output	258
Candela Output	10,268
Beam Pattern(s)	Warning - Keep Out Zone



Additional Specifications

IP Rating	IP67
Warranty	Please refer to the Warranty Statement which is available for download on the website
Pack Quantity	1