

# Reflector LED Headlights – Model 8720

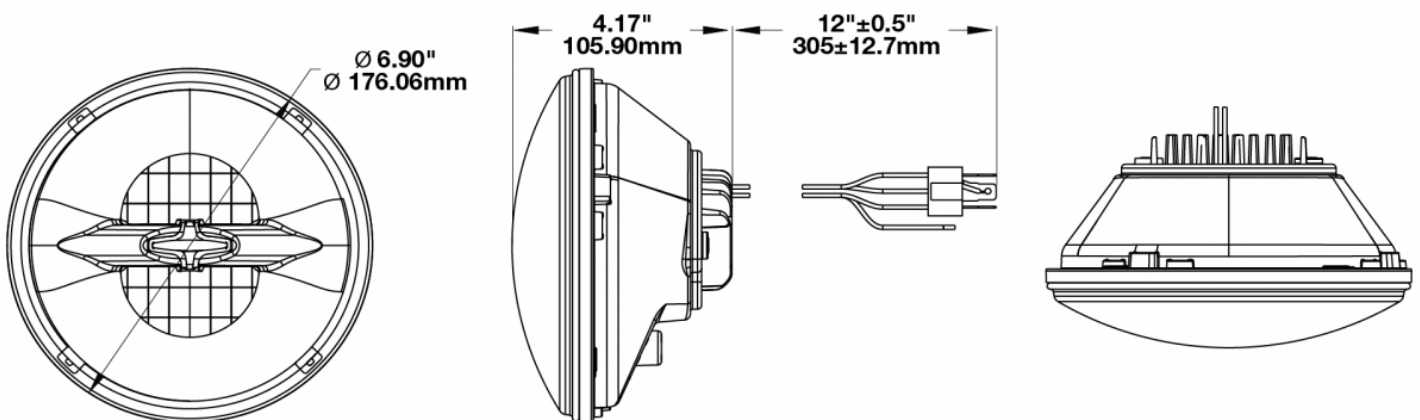
## 0552861

### Product Information

<b>Description</b>	Model 8720 - 12V LED Motorcycle Headlight Insert Headlight Insert
<b>Height</b>	175.00 mm / 6.89 in
<b>Width</b>	175.00 mm / 6.89 in
<b>Depth</b>	110.00 mm / 4.33 in
<b>Shape</b>	Round
<b>Outer Lens Material</b>	Polycarbonate
<b>Outer Lens Color</b>	Clear
<b>Housing Color</b>	Black
<b>Bezel Color</b>	Chrome
<b>Retrofits</b>	Bucket 7" Round Headlights (PAR56)
<b>Connector or Wiring</b>	H4
<b>Mating Connector</b>	H4 AMP#172615-2
<b>Shipping Weight</b>	2.74 lbs / 1.24 kgs
<b>Additional Information</b>	Includes H-4 connector with 4th front position wire for ECE- compliance.



### Product Dimensions

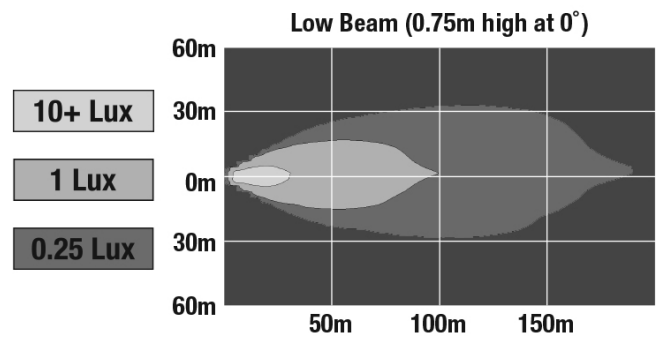
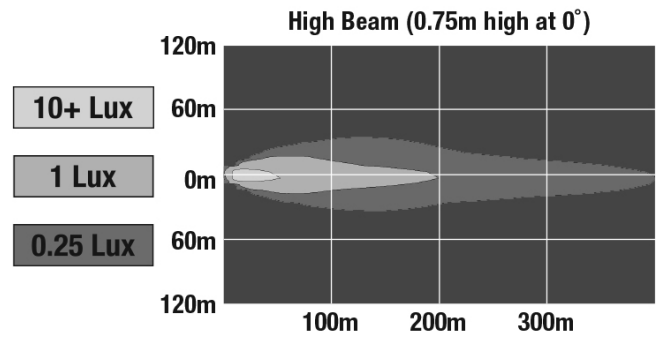


## Electrical Specifications

<b>Input Voltage</b>	12V DC
<b>Operating Voltage</b>	9-16V DC
<b>Black Wire</b>	Ground
<b>White Wire</b>	High Beam
<b>Yellow Wire</b>	Low Beam
<b>Red Wire</b>	Front Position
<b>Current Draw</b>	2.67A @ 12V DC (High Beam) 1.67A @ 12V DC (Low Beam) 0.13A @ 12V DC (Front Position)

## Photometric Specifications

<b>Raw Lumen Output</b>	1,620 (High Beam); 925 (Low Beam)
<b>Effective Lumen Output</b>	850 (High Beam); 500 (Low Beam)
<b>Candela Output</b>	41,000 (High Beam); 12,110 (Low Beam)
<b>Nominal LED Color Temperature</b>	5000 K
<b>Beam Pattern(s)</b>	Forward Lighting - High Beam (DOT/ECE) Forward Lighting - Low Beam (DOT/ECE) Signalization - Front Position



## Additional Specifications

---



<b>IP Rating</b>	IP67
<b>Warranty</b>	Please refer to the Warranty Statement which is available for download on the website
<b>Certification</b>	ECE Reg 50 & 113, Tested to ECE Reg 10 (Radiated Emissions Only), FMVSS 108 Table XX, SAEJ584
<b>Pack Quantity</b>	1