

LED Headlights – Model 8800 Evolution 2

0552571

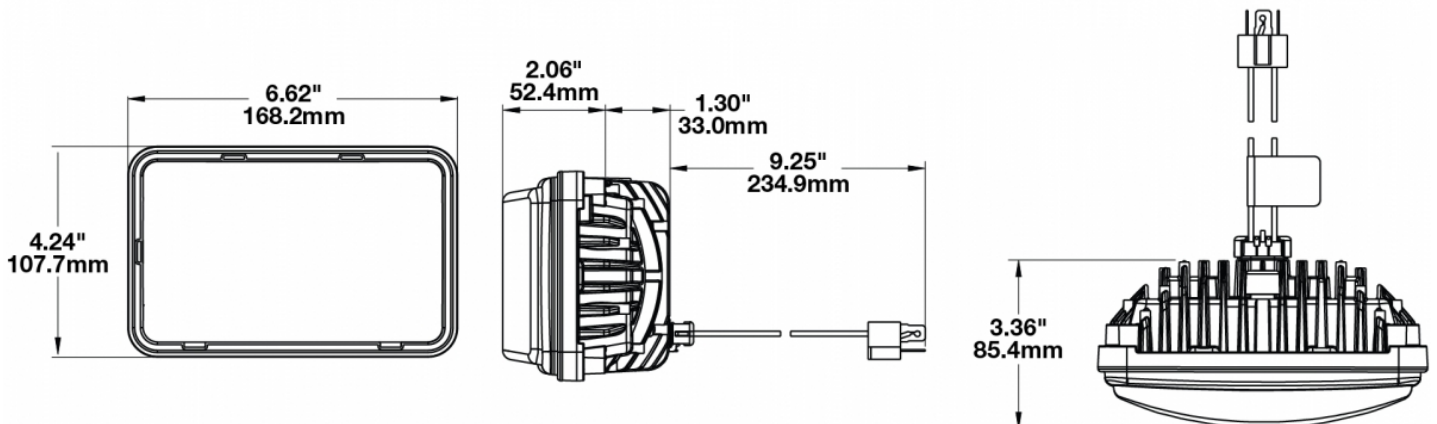


Product Information

Description	Model 8800 EVO 2 - 12/24V LED Headlight Insert - Black (High Beam)
Height	107.19 mm / 4.22 in
Width	167.64 mm / 6.6 in
Depth	84.90 mm / 3.34 in
Shape	Rectangular
Outer Lens Material	Hardcoated Polycarbonate
Outer Lens Color	Clear
Housing Material	Die-Cast Aluminum
Housing Color	Black
Bezel Color	Black
Retrofits	1A1 and 2A1 (4" 1 6") sealed beams
Minimum Operating Temperature	-40 °C
Maximum Operating Temperature	65 °C
Connector or Wiring	H4 Connector - AMP (#172615-2)
Mating Connector	LH Terminal - AMP (#172795-1); RH Terminal - AMP (#172796-1)
Shipping Weight	2.30 lbs / 1.04 kgs



Product Dimensions

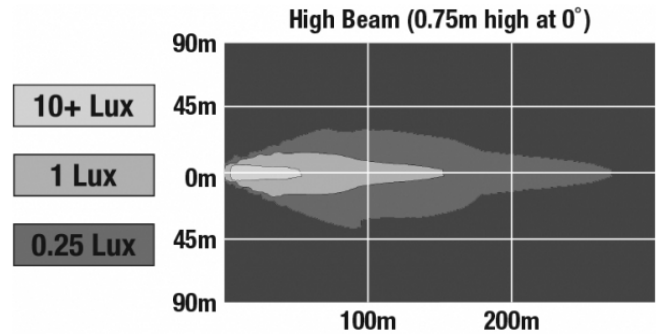


Electrical Specifications

Input Voltage	12-24V AC
Operating Voltage	9-32V AC
Red Wire	High Beam
Black Wire	Ground
Current Draw	2.10A @ 12V AC 1.00A @ 24V AC

Photometric Specifications

Raw Lumen Output	2,250
Effective Lumen Output	898
Candela Output	73,200
Nominal LED Color Temperature	5000 K
Beam Pattern(s)	Forward Lighting - High Beam (DOT/ECE)



Additional Specifications

IP Rating	IP67
Warranty	Please refer to the Warranty Statement which is available for download on the website
Certification	ECE Reg 112, FMVSS 108 Table XVIII
Pack Quantity	1