

LED Auxiliary Lights – Model TS4000

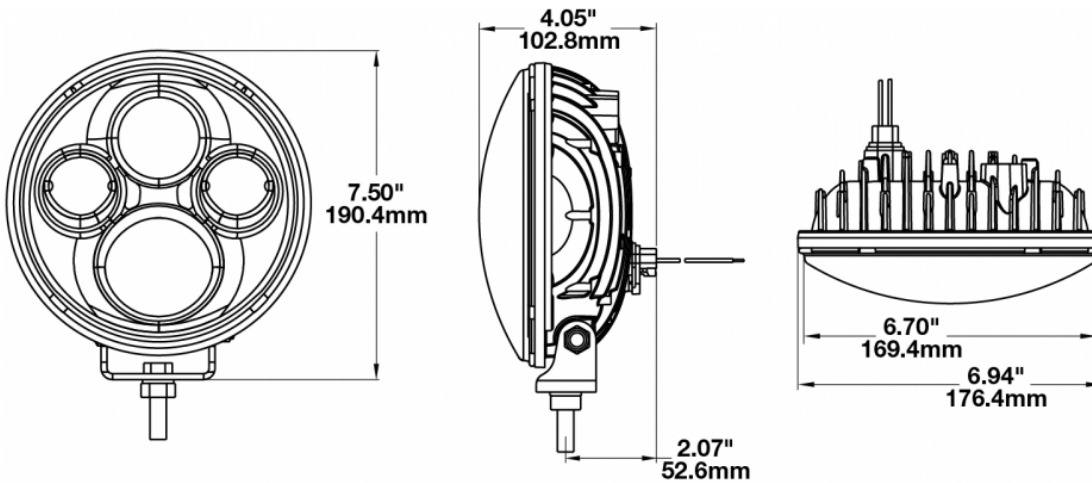
0551693

Product Information

Description	Model TS4000 - 12/24V LED Driving Light (8710 Pedestal Mount) - Black
Height	177.80 mm / 7 in
Width	177.80 mm / 7 in
Depth	99.06 mm / 3.9 in
Shape	Round
Outer Lens Material	Polycarbonate
Outer Lens Color	Clear
Housing Color	Black
Bezel Color	Black
Mounting Hardware Description	(x1) 3/8"-16 x UNC
Minimum Operating Temperature	-40 °C
Maximum Operating Temperature	65 °C
Connector or Wiring	Integral Deutsch DT04-2P
Mating Connector	DT06-2S
Product Weight	2.20 lbs / 1 kgs
Shipping Weight	7.20 lbs / 3.27 kgs



Product Dimensions

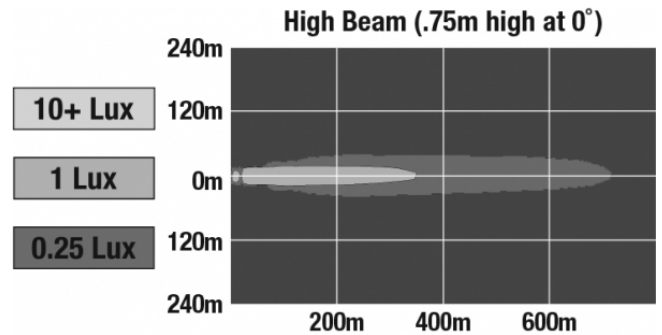


Electrical Specifications

Input Voltage	12-24V DC
Operating Voltage	9-32V DC
Black Wire	Ground
Red Wire	Positive
Current Draw	4.80A @ 12V DC 2.50A @ 24V DC

Photometric Specifications

Raw Lumen Output	3,300 (High Beam)
Effective Lumen Output	1,440 (High Beam)
Candela Output	133,000
Nominal LED Color Temperature	5000 K
Beam Pattern(s)	Forward Lighting - Driving Forward Lighting - High Beam (ECE)



Additional Specifications

IP Rating	IP67
Warranty	Please refer to the Warranty Statement which is available for download on the website
Certification	ECE Reg 112
Pack Quantity	2