

Motorcycle LED Headlights – Model 8690

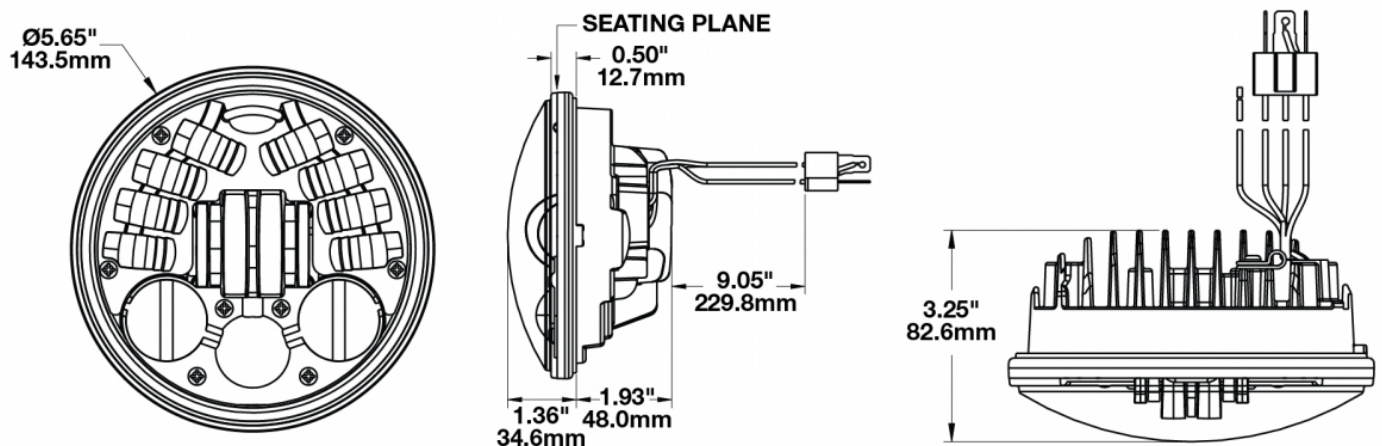
0551681

Product Information

Description	Model 8690 - 12V LED Motorcycle Headlight Insert - Black
Height	143.00 mm / 5.63 in
Width	143.00 mm / 5.63 in
Depth	82.50 mm / 3.25 in
Shape	Round
Outer Lens Material	Polycarbonate
Outer Lens Color	Clear
Bezel Color	Black
Retrofits	Bucket 5 3/4" Round Headlights (PAR46)
Minimum Operating Temperature	-40 °C
Maximum Operating Temperature	65 °C
Connector or Wiring	H4
Mating Connector	H4, AMP#172615-2
Product Weight	1.80 lbs / 0.82 kgs
Shipping Weight	2.47 lbs / 1.12 kgs



Product Dimensions

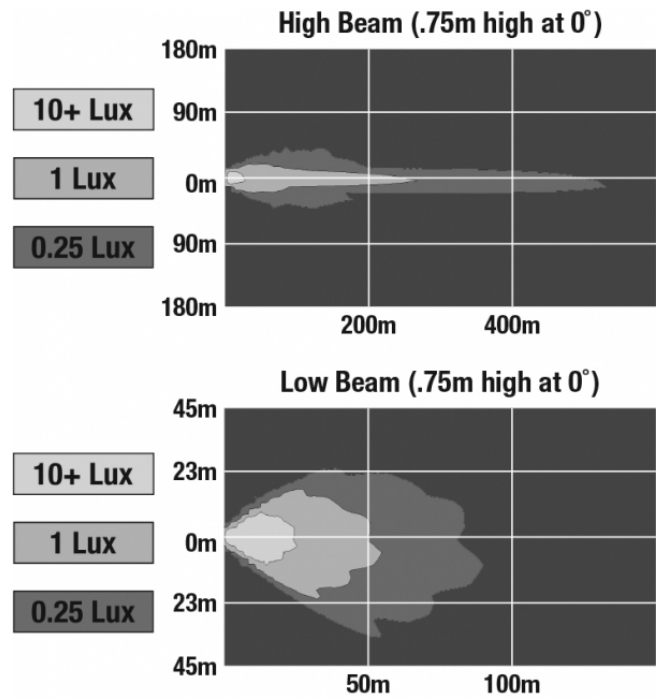


Electrical Specifications

Input Voltage	12V DC
Operating Voltage	9-16V DC
Black Wire	Ground
White Wire	High Beam
Yellow Wire	Low Beam
Red Wire	Front Position
Current Draw	1.90A @ 12V DC (Low Beam) 3.20A @ 12V DC (High Beam) 0.21A @ 12V DC (Front Position)

Photometric Specifications

Raw Lumen Output	3,520 (High Beam); 2,120 (Low Beam)
Effective Lumen Output	1,600 (High Beam); 1050 (Low Beam)
Candela Output	60,000 (High Beam); 8,300 (Low Beam)
Nominal LED Color Temperature	5000 K
Beam Pattern(s)	Forward Lighting - High Beam (DOT/ECE) Forward Lighting - Low Beam (DOT/ECE) Signalization - Front Position



Additional Specifications



IP Rating	IP67
Warranty	Please refer to the Warranty Statement which is available for download on the website
Certification	ECE Reg 50 & 113 Class D, FMVSS 108 Table XX, SAEJ575 & 584
Pack Quantity	1

Installation & Application Information



Headlight must be securely mounted and properly aimed such that the beam pattern cut off line complies with all applicable regulations. If you are not familiar with the legal requirements for aiming your headlights, please see a professional service provider. We recommend that headlights are aimed with a headlight aiming system for proper alignment.

Additional Information



Note about Front Position: The front position light is a requirement outside the United States. **If your bike is operated in the United States you do NOT need to connect this wire (red)** unless your bike is equipped with a front position light.