

LED Headlight – Model 8631 Evolution

0551641

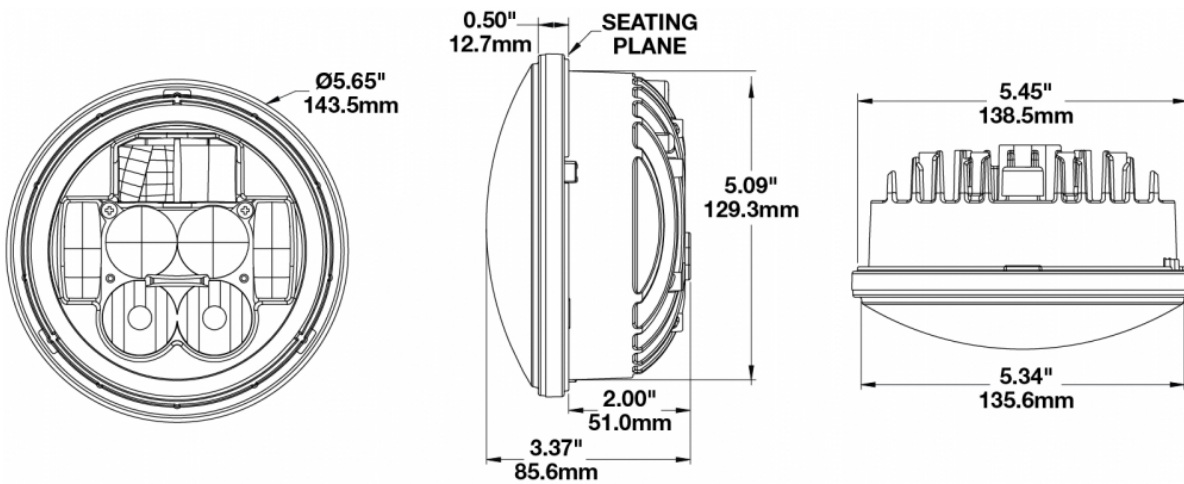


Product Information

Description	Model 8631 EVO - 12/24V LED Headlight Insert
Height	142.24 mm / 5.6 in
Width	142.24 mm / 5.6 in
Depth	86.36 mm / 3.4 in
Shape	Round
Outer Lens Material	Hardcoated Polycarbonate
Outer Lens Color	Clear
Housing Color	Black
Minimum Operating Temperature	-34 °C
Maximum Operating Temperature	49 °C
Connector or Wiring	Integral Connector in Housing simulating Delphi 12124107
Mating Connector	Delphi 12052848
Product Weight	1.76 lbs / 0.8 kgs



Product Dimensions

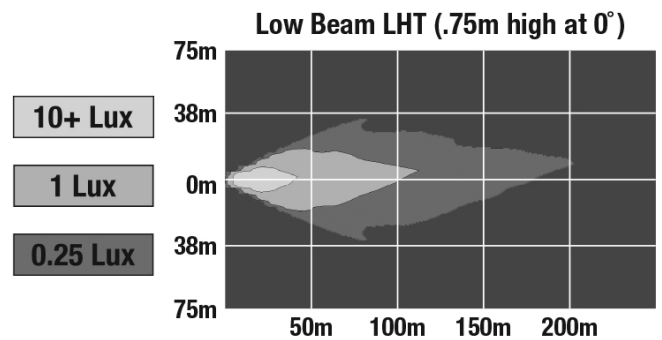
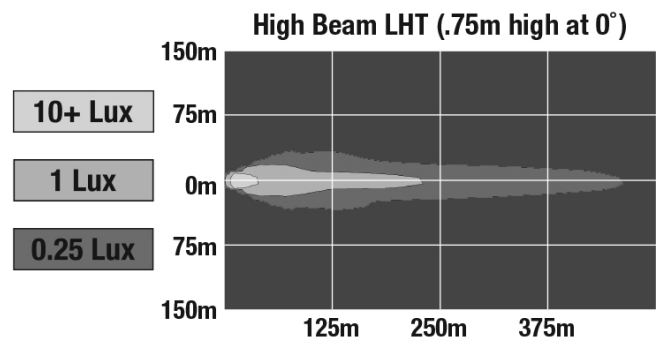


Electrical Specifications

Input Voltage	12-24V DC
Operating Voltage	10-32V DC
White Wire	High Beam
Yellow Wire	Low Beam
Black Wire	Ground
Red Wire	Front Position
Purple Wire	DRL
Orange / White Wire	Front Turn
Current Draw	2.20A @ 12V DC (Low Beam) 1.10A @ 24V DC (Low Beam) 3.50A @ 12V DC (High Beam) 1.70A @ 24V DC (High Beam) 1.10A @ 12V DC (DRL) 0.70A @ 24V DC (DRL) 0.05A @ 12V DC (Front Position) 0.05A @ 24V DC (Front Position) 1.40A @ 12V DC (Front Turn) 0.70A @ 24V DC (Front Turn)

Photometric Specifications

Raw Lumen Output	2,925 (High Beam); 2,025 (Low Beam)
Effective Lumen Output	1,000 (High Beam); 630 (Low Beam)
Nominal LED Color Temperature	5000 K
Beam Pattern(s)	Forward Lighting - Daytime Running Light Forward Lighting - High Beam (DOT/ECE) Forward Lighting - Low Beam (ECE Left Hand) Signalization - Front Position Signalization - Turn (Front)



Additional Specifications



IP Rating	IP67
Warranty	Please refer to the Warranty Statement which is available for download on the website
Certification	ECE Reg 6, 7, 87 & 112
Pack Quantity	1