

# LED Headlights – Model 8800 Evolution 2

## 0551381

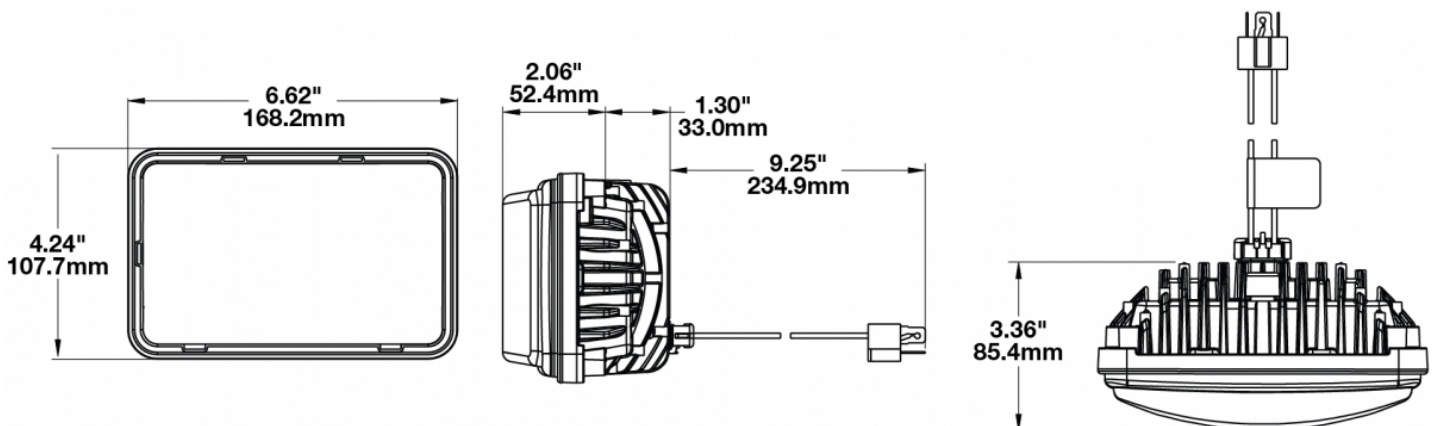


### Product Information

<b>Description</b>	Model 8800 EVO 2 - 12/24V LED Headlight Insert - Chrome (High Beam)
<b>Height</b>	107.19 mm / 4.22 in
<b>Width</b>	167.64 mm / 6.6 in
<b>Depth</b>	84.90 mm / 3.34 in
<b>Shape</b>	Rectangular
<b>Outer Lens Material</b>	Hardcoated Polycarbonate
<b>Outer Lens Color</b>	Clear
<b>Housing Material</b>	Die-Cast Aluminum
<b>Housing Color</b>	Black
<b>Bezel Color</b>	Chrome
<b>Retrofits</b>	1A1 and 2A1 (4" 1 6") sealed beams
<b>Minimum Operating Temperature</b>	-40 °C
<b>Maximum Operating Temperature</b>	65 °C
<b>Connector or Wiring</b>	H4 Connector - AMP (#172615-2)
<b>Mating Connector</b>	LH Terminal - AMP (#172795-1); RH Terminal - AMP (#172796-1)
<b>Shipping Weight</b>	2.30 lbs / 1.04 kgs



### Product Dimensions

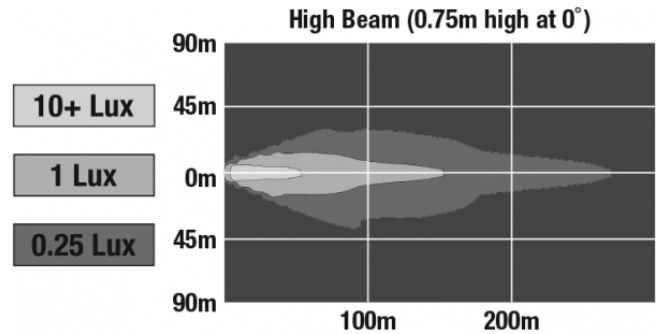


## Electrical Specifications

<b>Input Voltage</b>	12-24V DC
<b>Operating Voltage</b>	9-32V DC
<b>Red Wire</b>	High Beam
<b>Black Wire</b>	Ground
<b>Current Draw</b>	2.10A @ 12V DC 1.00A @ 24V DC

## Photometric Specifications

<b>Raw Lumen Output</b>	2,250
<b>Effective Lumen Output</b>	898
<b>Candela Output</b>	73,200
<b>Nominal LED Color Temperature</b>	5000 K
<b>Beam Pattern(s)</b>	Forward Lighting - High Beam (DOT/ECE)



## Additional Specifications

<b>IP Rating</b>	IP67
<b>Warranty</b>	Please refer to the Warranty Statement which is available for download on the website
<b>Certification</b>	ECE Reg 112, FMVSS 108 Table XVIII
<b>Pack Quantity</b>	1