

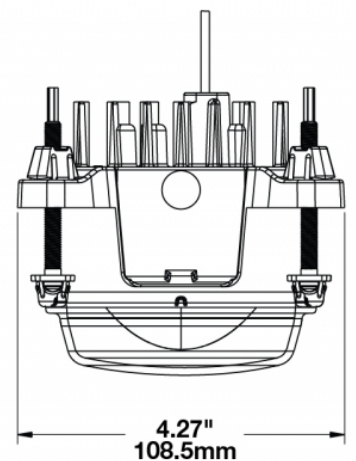
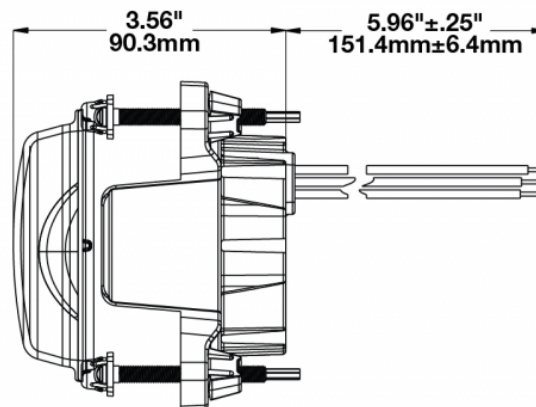
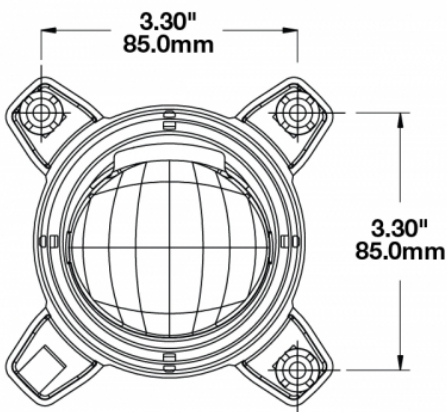
# 0551201

## Product Information

<b>Description</b>	Model 90 - 12/24V LED Headlight Insert (Low Beam)
<b>Height</b>	108.46 mm / 4.27 in
<b>Width</b>	108.46 mm / 4.27 in
<b>Depth</b>	90.42 mm / 3.56 in
<b>Shape</b>	Round
<b>Outer Lens Material</b>	Polycarbonate
<b>Outer Lens Color</b>	Clear
<b>Housing Material</b>	Die-Cast Aluminum
<b>Bezel Color</b>	Black
<b>Mounting Hardware Description</b>	(x3) Ball & Socket
<b>Minimum Operating Temperature</b>	-40 °C
<b>Maximum Operating Temperature</b>	65 °C
<b>Connector or Wiring</b>	6" Bare Leads
<b>Mating Connector</b>	Deutsch 2-Pin
<b>Product Weight</b>	1.30 lbs / 0.59 kgs
<b>Shipping Weight</b>	1.16 lbs / 0.53 kgs



## Product Dimensions

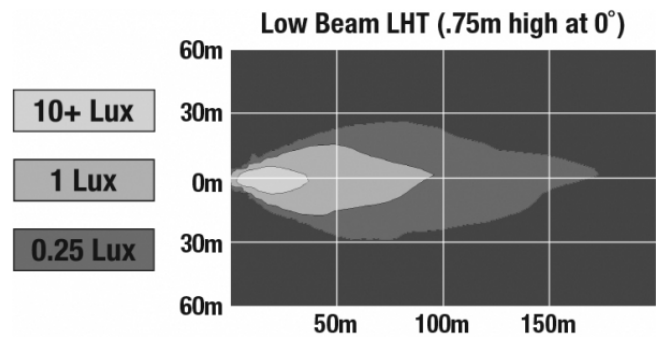


## Electrical Specifications

<b>Input Voltage</b>	12-24V DC
<b>Operating Voltage</b>	10-31V DC
<b>Red Wire</b>	Positive
<b>Black Wire</b>	Negative
<b>Current Draw</b>	1.97A @ 12V DC 0.98A @ 24V DC

## Photometric Specifications

<b>Raw Lumen Output</b>	1,910
<b>Effective Lumen Output</b>	575
<b>Candela Output</b>	18,500
<b>Nominal LED Color Temperature</b>	5000 K
<b>Beam Pattern(s)</b>	Forward Lighting - Low Beam (ECE Left Hand)



## Additional Specifications

<b>IP Rating</b>	IP67
<b>Warranty</b>	Please refer to the Warranty Statement which is available for download on the website
<b>Certification</b>	ECE Reg 112, FMVSS 108 Table XIX
<b>Pack Quantity</b>	1