

LED Work Light – Model 4415

0551001

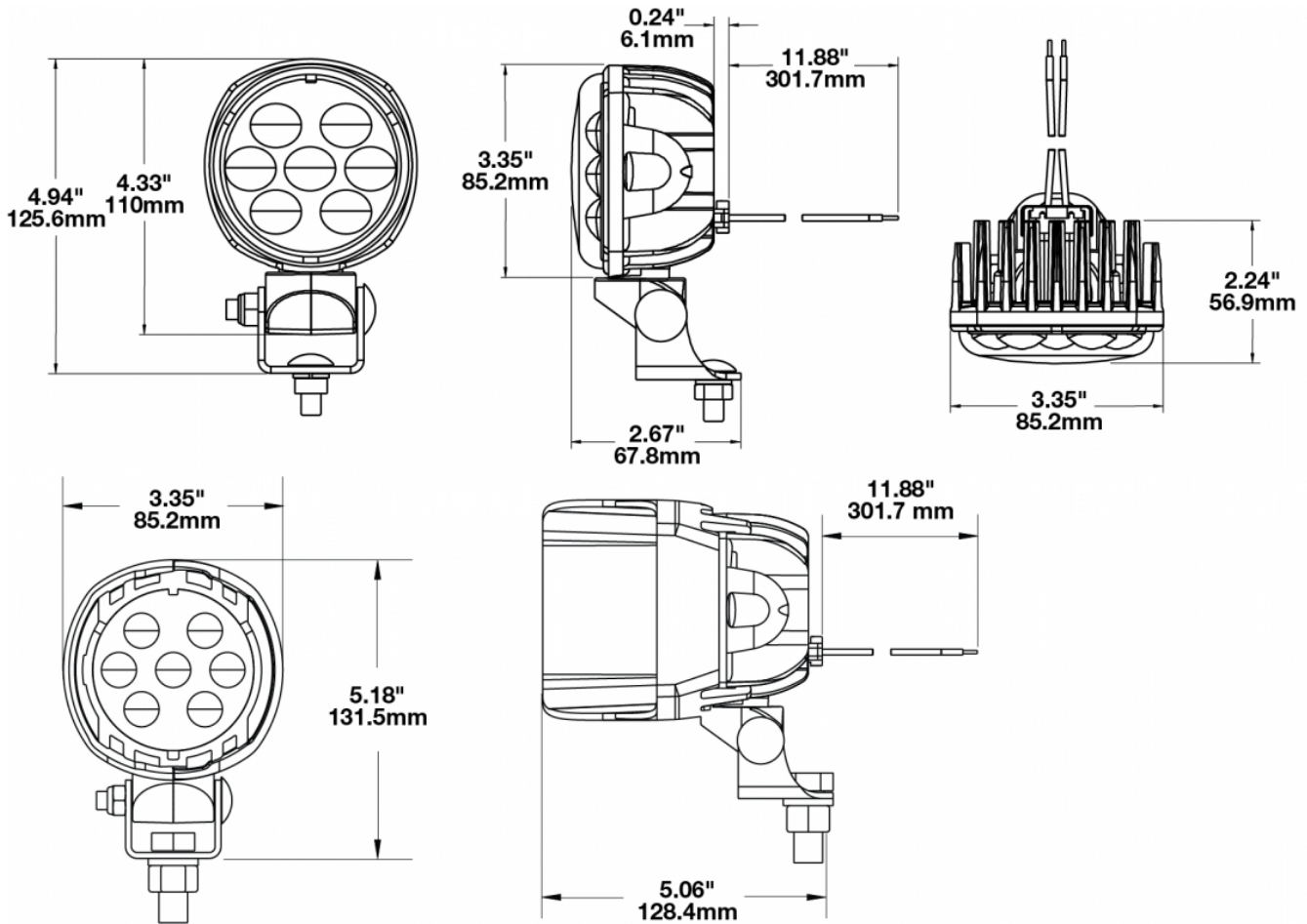
Product Information



Description	Model 4415 - 12/24V LED Worklight - Spot Beam
Height	110.00 mm / 4.33 in
Width	85.20 mm / 3.35 in
Depth	21.10 mm / 0.83 in
Shape	Round
Outer Lens Material	Polycarbonate
Outer Lens Color	Clear
Housing Material	Die-Cast Aluminum
Housing Color	Black
Mounting Hardware Description	(x1) Bracket and swivel
Minimum Operating Temperature	-40 °C
Maximum Operating Temperature	85 °C
Connector or Wiring	Packard# 12084167
Mating Connector	Packard# 12059183
Product Weight	0.90 lbs / 0.41 kgs
Shipping Weight	1.20 lbs / 0.54 kgs



Product Dimensions



Electrical Specifications

Input Voltage	12-24V DC
Operating Voltage	10-32V DC
Red Wire	Positive
Black Wire	Negative
Current Draw	2.20A @ 12V DC 1.10A @ 24V DC

Photometric Specifications



Raw Lumen Output	2,450
Effective Lumen Output	1,350
Nominal LED Color Temperature	5000 K
Beam Pattern(s)	Forward Lighting - Spot

Model 4415 - Spot Beam



Beam Measurements - 1 Lux

Lamp Mounting: 2.15m High -10° Down

Additional Specifications



IP Rating	IP67
Warranty	Please refer to the Warranty Statement which is available for download on the website
Pack Quantity	1