

LED High Beam Headlight – Model 8710

0550021

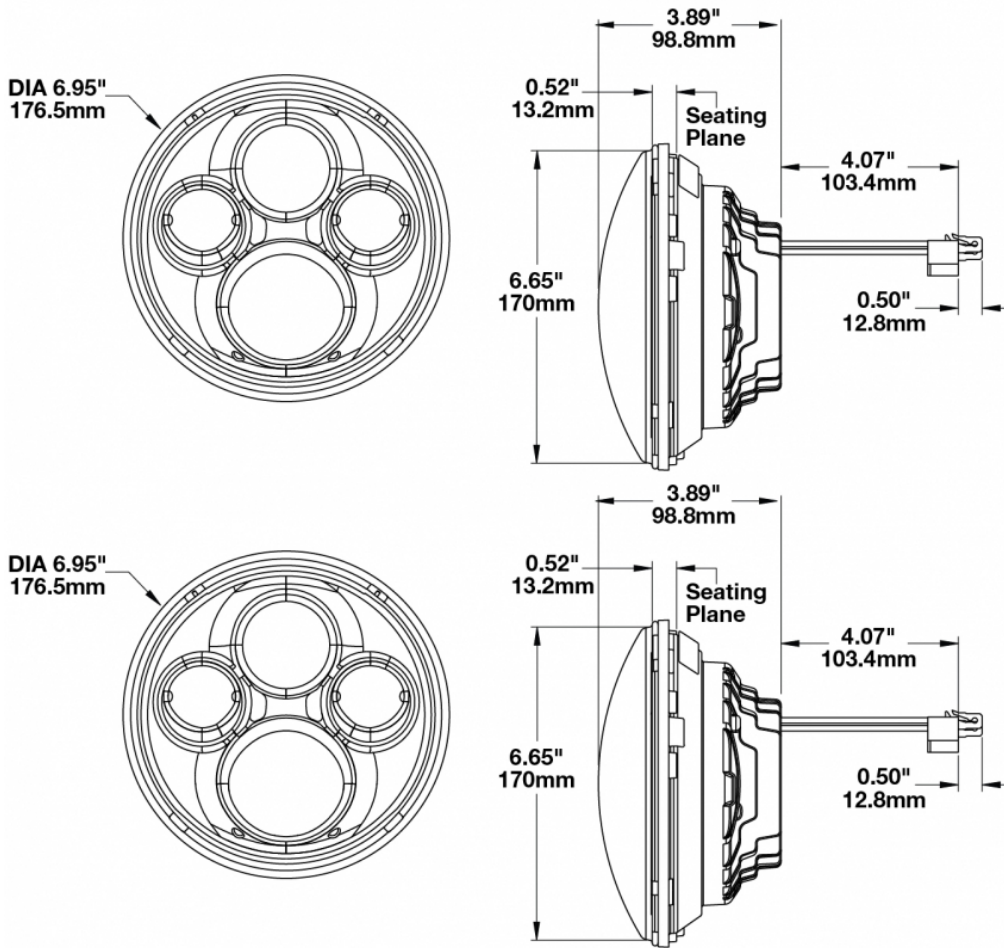


Product Information

Description	Model 8710 - 12/24V LED Headlight Insert (High Beam Only) - Black
Height	177.80 mm / 7 in
Width	177.80 mm / 7 in
Shape	Round
Outer Lens Material	Polycarbonate
Outer Lens Color	Clear
Housing Color	Black
Bezel Color	Black
Retrofits	PAR 56 High Beam
Minimum Operating Temperature	-40 °C
Maximum Operating Temperature	65 °C
Connector or Wiring	H4
Mating Connector	AMP# 172615-2
Product Weight	2.20 lbs / 1 kgs
Shipping Weight	3.10 lbs / 1.41 kgs



Product Dimensions



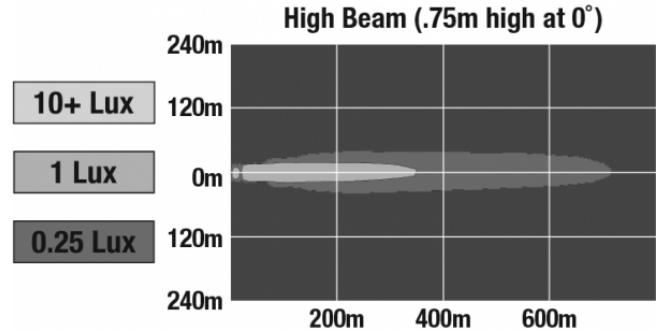
Electrical Specifications



Input Voltage	12-24V DC
Operating Voltage	9-32V DC
Black Wire	Ground
white Wire	Positive
Current Draw	4.80A @ 12V DC 2.50A @ 24V DC

Photometric Specifications

Raw Lumen Output	3,300
Effective Lumen Output	1,440
Candela Output	133,000
Nominal LED Color Temperature	4750 K
Beam Pattern(s)	Forward Lighting - High Beam (ECE)



Additional Specifications

IP Rating	IP67
Warranty	Please refer to the Warranty Statement which is available for download on the website
Certification	ECE Reg 112
Pack Quantity	1