

LED Headlights – Model 6130 Evolution

0549891

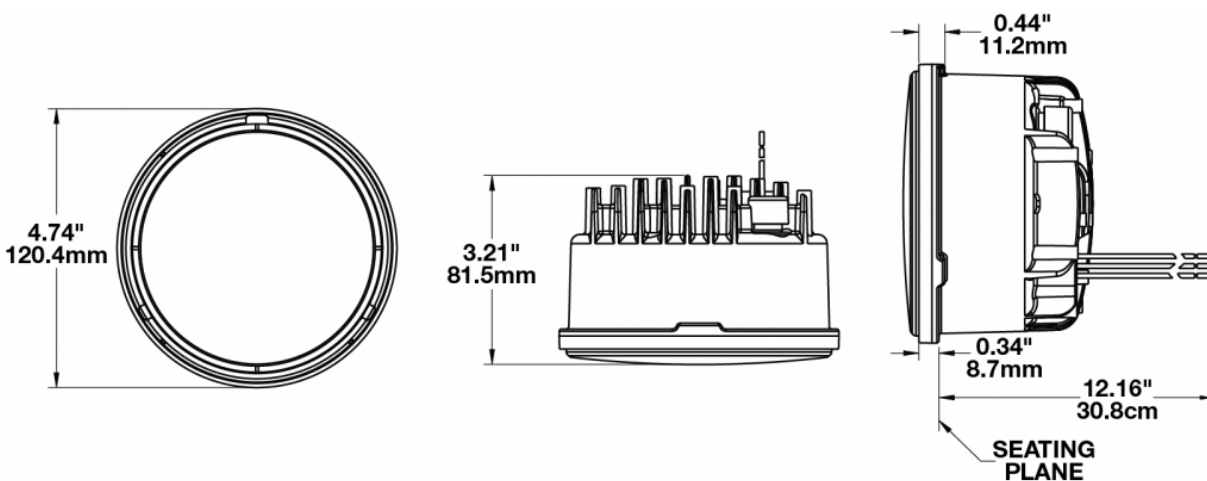


Product Information

Description	Model 6130 EVO - 12/24V LED Headlight Insert (Low Beam, High Beam & Park)
Height	120.40 mm / 4.74 in
Width	120.40 mm / 4.74 in
Depth	81.53 mm / 3.21 in
Shape	Round
Outer Lens Material	Polycarbonate
Outer Lens Color	Clear
Housing Color	Black
Bezel Color	Black
Connector or Wiring	12" Flying Leads
Mating Connector	n/a
Product Weight	1.50 lbs / 0.68 kgs



Product Dimensions

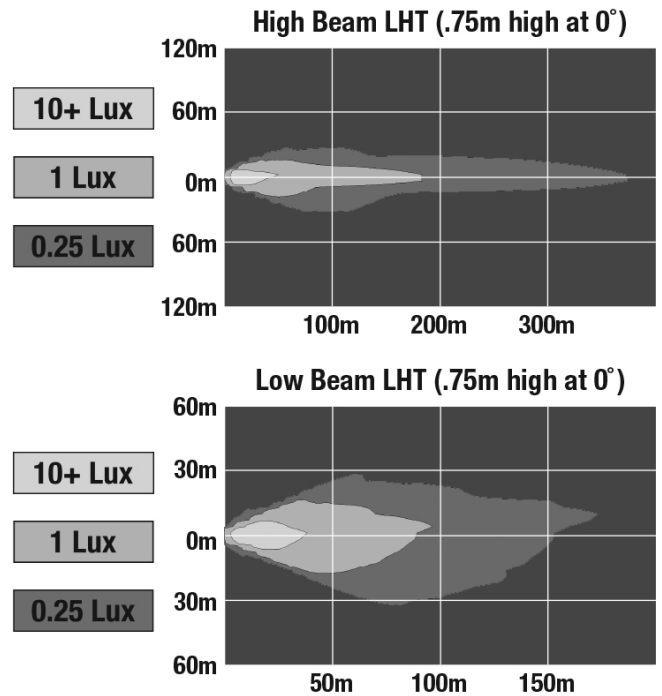


Electrical Specifications

Input Voltage	12-24V DC
Operating Voltage	10-30V DC
Black Wire	Ground
Yellow Wire	Low Beam
White Wire	High Beam
Red Wire	Front Position
Current Draw	3.00A @ 12V DC (High Beam) 1.43A @ 24V DC (High beam) 2.30A @ 12V DC (Low Beam) 1.01A @ 24V DC (Low Beam) 0.12A @ 12V DC (Front Position) 0.09A @ 24V DC (Front Position)

Photometric Specifications

Raw Lumen Output	2,230 (High Beam); 1,330 (Low Beam)
Effective Lumen Output	840 (High Beam); 440 (Low Beam)
Beam Pattern(s)	Forward Lighting - High Beam (DOT/ECE) Forward Lighting - Low Beam (ECE Left Hand) Signalization - Front Position



Additional Specifications



IP Rating	IP67
Warranty	Please refer to the Warranty Statement which is available for download on the website
Certification	ECE Reg 7 & 112
Pack Quantity	1

Additional Information



Jump Start: 48V for 2 min
Reverse Polarity: -24V for 2 min
Load Dump: 150V 5 pulses 10 sec intervals
Inductive Switching: 600V 10 pulses 1 sec intervals
Mutual Coupling: 300V 10 pulses 1 sec intervals