

LED Headlights – Model 6130 Evolution

0549871

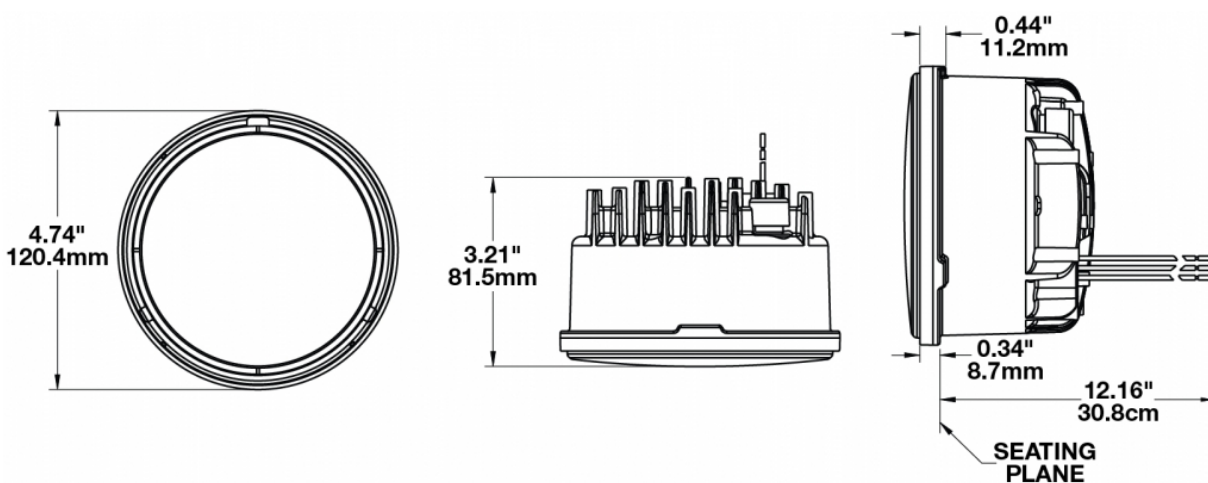


Product Information

| | |
|----------------------------|---|
| Description | Model 6130 EVO - 12/24V LED Headlight Insert (High Beam & Park) |
| Height | 120.40 mm / 4.74 in |
| Width | 120.40 mm / 4.74 in |
| Depth | 81.53 mm / 3.21 in |
| Shape | Round |
| Outer Lens Material | Polycarbonate |
| Outer Lens Color | Clear |
| Housing Color | Black |
| Bezel Color | Black |
| Connector or Wiring | 12" Flying Leads |
| Mating Connector | n/a |
| Product Weight | 1.50 lbs / 0.68 kgs |
| Shipping Weight | 1.68 lbs / 0.76 kgs |



Product Dimensions

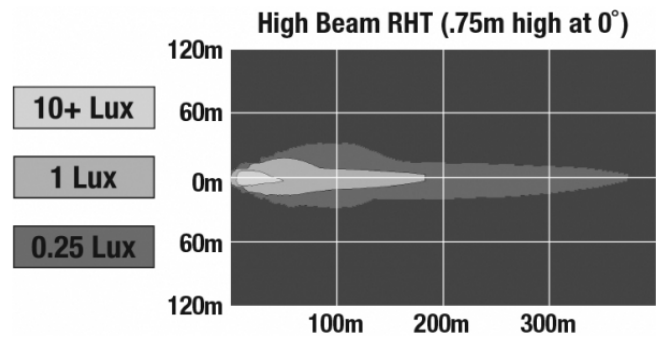


Electrical Specifications

| | |
|--------------------------|--|
| Input Voltage | 12-24V DC |
| Operating Voltage | 10-30V DC |
| Black Wire | Ground |
| Yellow Wire | Front Position |
| White Wire | High Beam |
| Current Draw | 1.84A @ 12V DC (High Beam) 0.84A @ 24V DC (High Beam) 0.11A @ 12V DC (Front Position) 0.09A @ 24V DC (Front Position) |

Photometric Specifications

| | |
|-------------------------------|--|
| Raw Lumen Output | 1,760 (High Beam) |
| Effective Lumen Output | 955 (High Beam) |
| Beam Pattern(s) | Forward Lighting - High Beam (DOT/ECE) Signalization - Front Position |



Additional Specifications

| | |
|----------------------|---|
| IP Rating | IP67 |
| Warranty | Please refer to the Warranty Statement which is available for download on the website |
| Certification | ECE Reg 7, 87 & 112 |
| Pack Quantity | 1 |

Additional Information



Jump Start: 48V for 2 min

Reverse Polarity: -24V for 2 min

Load Dump: 150V 5 pulses 10 sec intervals

Inductive Switching: 600V 10 pulses 1 sec intervals

Mutual Coupling: 300V 10 pulses 1 sec intervals