

LED Headlights – Model 6130 Evolution

0549861

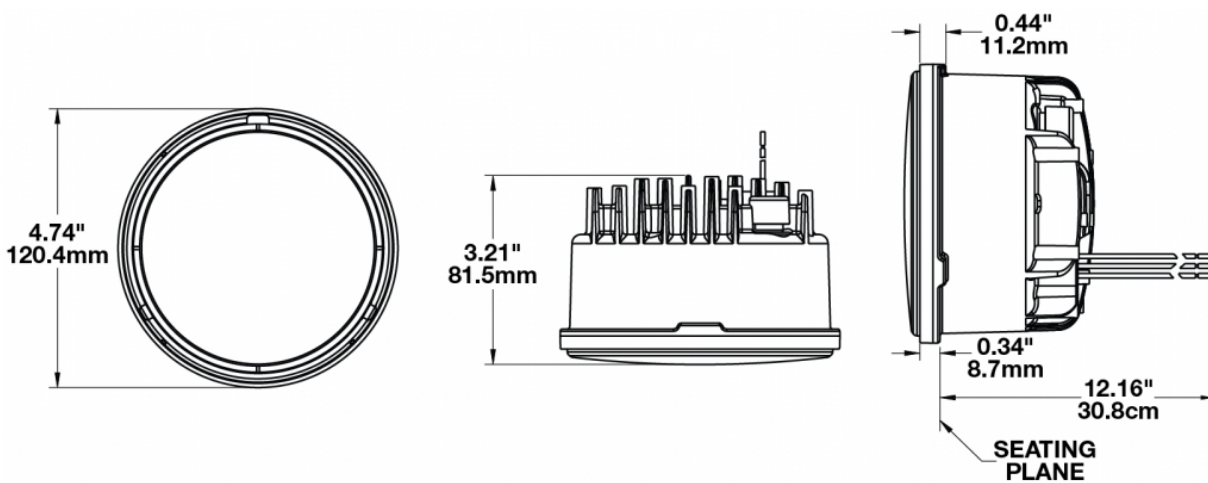


Product Information

Description	Model 6130 EVO - 12/24V LED Headlight Insert (Low Beam & DRL)
Height	120.40 mm / 4.74 in
Width	120.40 mm / 4.74 in
Depth	81.53 mm / 3.21 in
Shape	Round
Outer Lens Material	Polycarbonate
Outer Lens Color	Clear
Housing Color	Black
Bezel Color	Black
Connector or Wiring	12" Flying Leads
Mating Connector	n/a
Product Weight	1.50 lbs / 0.68 kgs



Product Dimensions

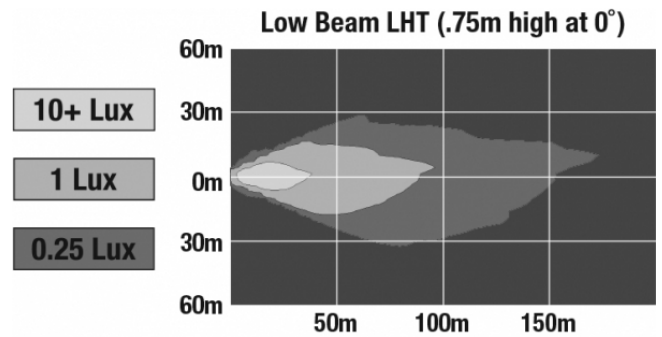


Electrical Specifications

Input Voltage	12-24V DC
Operating Voltage	10-30V DC
Black Wire	Ground
Yellow Wire	DRL
White Wire	Low Beam
Current Draw	2.07A @ 12V DC (Low Beam) 0.96A @ 24V DC (Low Beam) 0.44A @ 12V DC (DRL) 0.24A @ 24V DC (DRL)

Photometric Specifications

Raw Lumen Output	1,690 (Low Beam)
Effective Lumen Output	640 (Low Beam)
Beam Pattern(s)	Forward Lighting - Daytime Running Light Forward Lighting - Low Beam (ECE Left Hand)



Additional Specifications

IP Rating	IP67
Warranty	Please refer to the Warranty Statement which is available for download on the website
Certification	ECE Reg 7, 87 & 112
Pack Quantity	1

Additional Information



Jump Start: 48V for 2 min

Reverse Polarity: -24V for 2 min

Load Dump: 150V 5 pulses 10 sec intervals

Inductive Switching: 600V 10 pulses 1 sec intervals

Mutual Coupling: 300V 10 pulses 1 sec intervals