

# LED Work Light – Model 4415

## 0549841

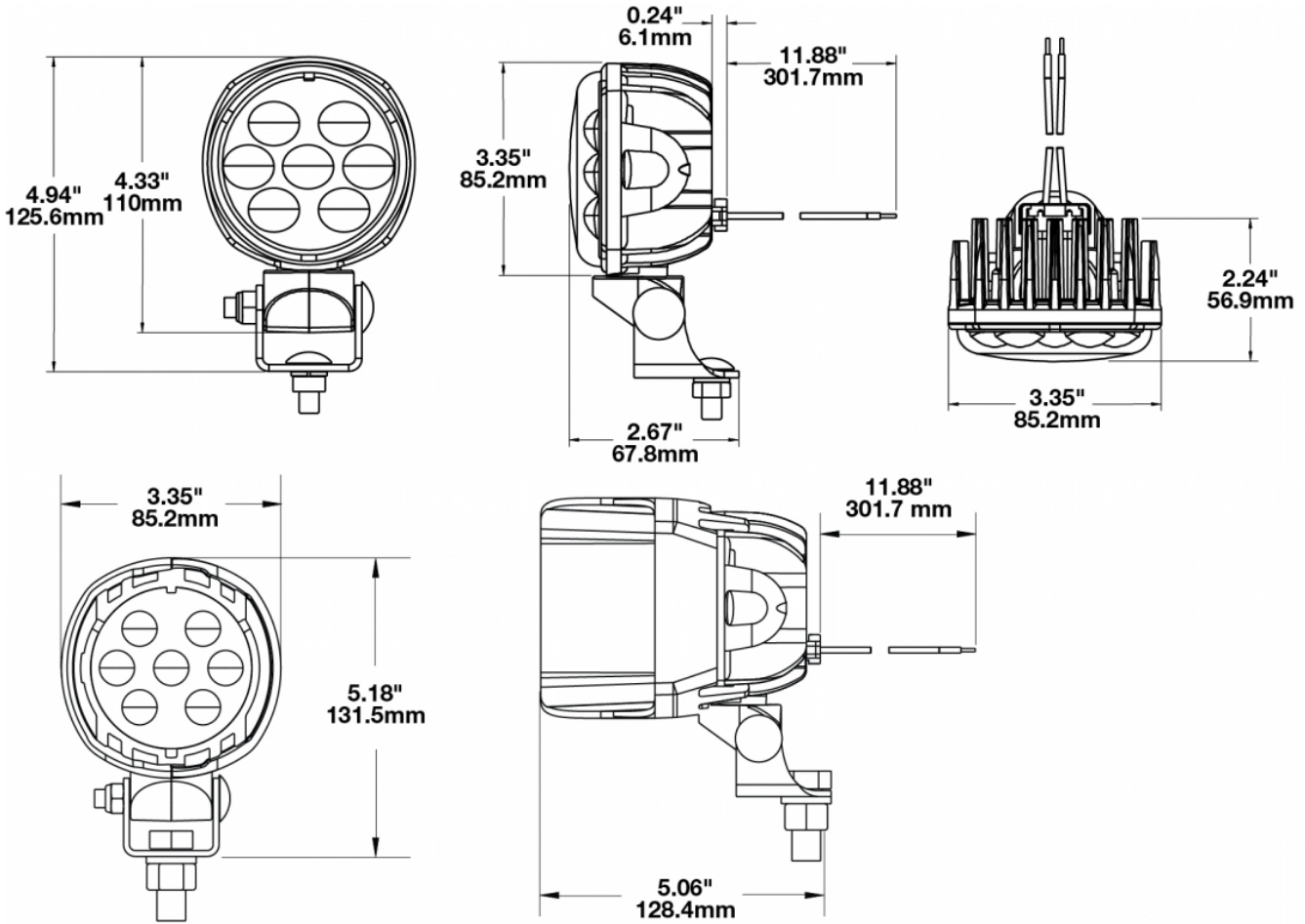
### Product Information



<b>Description</b>	Model 4415 - 12/24V LED Worklight - Trap Beam
<b>Height</b>	125.48 mm / 4.94 in
<b>Width</b>	85.09 mm / 3.35 in
<b>Depth</b>	56.90 mm / 2.24 in
<b>Shape</b>	Round
<b>Outer Lens Material</b>	Polycarbonate
<b>Outer Lens Color</b>	Clear
<b>Housing Material</b>	Die-Cast Aluminum
<b>Housing Color</b>	Black
<b>Mounting Hardware Description</b>	(x1) Bracket and swivel
<b>Minimum Operating Temperature</b>	-40 °C
<b>Maximum Operating Temperature</b>	85 °C
<b>Connector or Wiring</b>	Packard# 12084167
<b>Mating Connector</b>	Packard#12059183
<b>Product Weight</b>	0.90 lbs / 0.41 kgs
<b>Shipping Weight</b>	1.20 lbs / 0.54 kgs



Product Dimensions



Electrical Specifications

<b>Input Voltage</b>	12-24V AC
<b>Operating Voltage</b>	10-32V AC
<b>Red Wire</b>	Positive
<b>Black Wire</b>	Negative
<b>Current Draw</b>	2.20A @ 12V AC 1.10A @ 24V AC

## Photometric Specifications

<b>Raw Lumen Output</b>	2,450
<b>Effective Lumen Output</b>	1,350
<b>Nominal LED Color Temperature</b>	5000 K
<b>Beam Pattern(s)</b>	Forward Lighting - Trapezoid

Model 4415 - Trap Beam

5.5m 21m

Beam Measurements - 1 Lux

Lamp Mounting: 2.15m High -10° Down

## Additional Specifications

<b>IP Rating</b>	IP67
<b>Warranty</b>	Please refer to the Warranty Statement which is available for download on the website
<b>Pack Quantity</b>	1