

# LED Work Light – Model 523

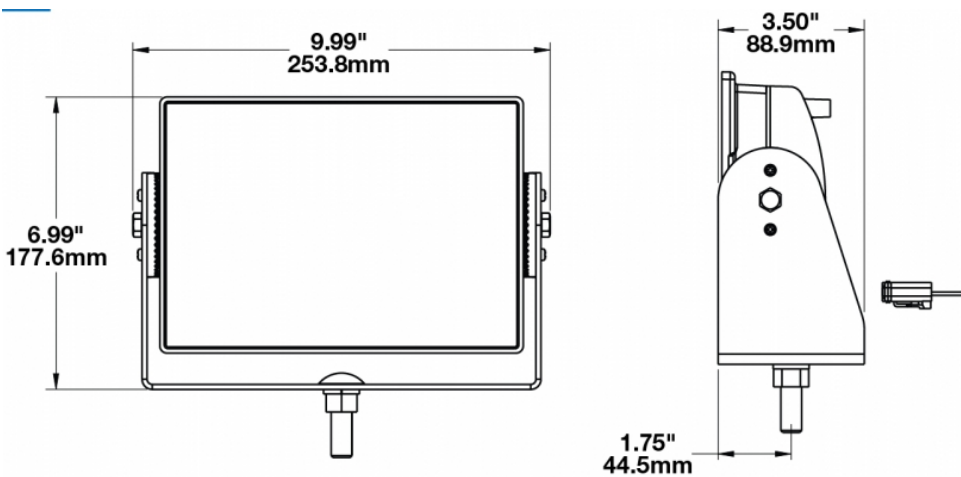
## 0549641

### Product Information

<b>Description</b>	Model 523XL - 12/24V LED Worklight - Narrow Flood Beam (Yellow Housing)
<b>Height</b>	177.55 mm / 6.99 in
<b>Width</b>	253.75 mm / 9.99 in
<b>Depth</b>	88.90 mm / 3.5 in
<b>Shape</b>	Rectangular
<b>Outer Lens Material</b>	Glass
<b>Outer Lens Color</b>	Clear
<b>Housing Material</b>	Die-Cast Aluminum
<b>Housing Color</b>	Yellow
<b>Mounting Hardware Description</b>	(x1) 1/2"-Mounting Bolt
<b>Mounting Type</b>	Universal Pedestal Mount
<b>Connector or Wiring</b>	Integrated 2-Pin Deutsch Weather-Proof Socket (DT04-2P)
<b>Product Weight</b>	6.72 lbs / 3.05 kgs
<b>Shipping Weight</b>	8.40 lbs / 3.81 kgs



### Product Dimensions



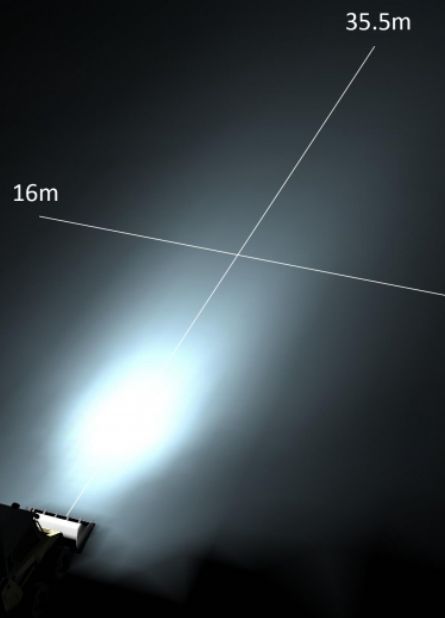
## Electrical Specifications

<b>Input Voltage</b>	12-24V DC
<b>Operating Voltage</b>	9-32V DC
<b>Transient Spike Protection</b>	150V Peak @ 1 HZ-10 Pulses
<b>Red Wire</b>	Positive
<b>Black Wire</b>	Negative
<b>Current Draw</b>	6.7A @ 12V DC 3.7A @ 24V DC

## Photometric Specifications

<b>Raw Lumen Output</b>	8,100
<b>Effective Lumen Output</b>	3,900
<b>Nominal LED Color Temperature</b>	5000 K
<b>Beam Pattern(s)</b>	Forward Lighting - Flood (Narrow)

Model 523 - Narrow Flood Beam



Beam Measurements - 1 Lux

Lamp Mounting: 2.15m High -10° Down

## Additional Specifications

---



<b>IP Rating</b>	IP69K
<b>Warranty</b>	Please refer to the Warranty Statement which is available for download on the website
<b>Pack Quantity</b>	1