

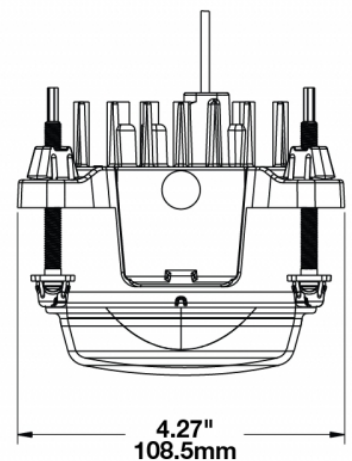
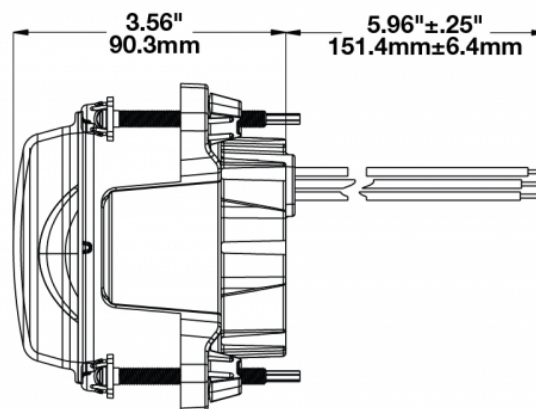
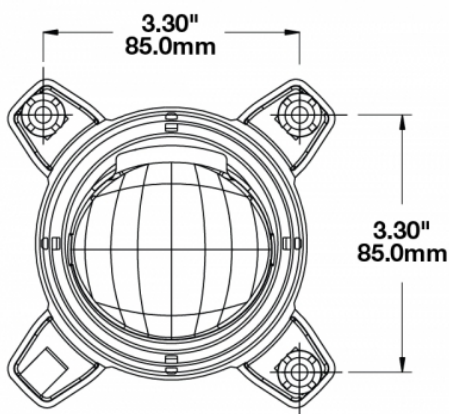
# 0547751

## Product Information

<b>Description</b>	Model 90 - 12/24V LED Headlight Insert (High Beam & Park)
<b>Height</b>	108.46 mm / 4.27 in
<b>Width</b>	108.46 mm / 4.27 in
<b>Depth</b>	90.42 mm / 3.56 in
<b>Shape</b>	Round
<b>Outer Lens Material</b>	Polycarbonate
<b>Outer Lens Color</b>	Clear
<b>Housing Material</b>	Die-Cast Aluminum
<b>Housing Color</b>	Black
<b>Mounting Hardware Description</b>	(x3) Ball & Socket
<b>Mounting Type</b>	Low Profile Mount
<b>Minimum Operating Temperature</b>	-40 °C
<b>Maximum Operating Temperature</b>	65 °C
<b>Connector or Wiring</b>	6" Bare Leads
<b>Product Weight</b>	1.30 lbs / 0.59 kgs
<b>Shipping Weight</b>	1.40 lbs / 0.64 kgs



## Product Dimensions

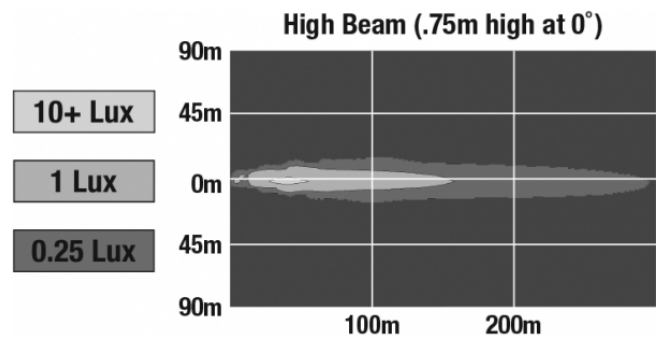


## Electrical Specifications

<b>Input Voltage</b>	12-24V DC
<b>Operating Voltage</b>	10.5-38V DC
<b>Red Wire</b>	Positive
<b>Black Wire</b>	Negative
<b>White Wire</b>	Front Position
<b>Current Draw</b>	0.80A @ 12V DC (High Beam) 0.40A @ 24V DC (High Beam) 0.40A @ 12V DC (Front Position) 0.20A @ 24V DC (Front Position)

## Photometric Specifications

<b>Raw Lumen Output</b>	630
<b>Effective Lumen Output</b>	230
<b>Candela Output</b>	45,000
<b>Nominal LED Color Temperature</b>	5000 K
<b>Beam Pattern(s)</b>	Forward Lighting - High Beam (DOT/ECE) Signalization - Front Position



## Additional Specifications

<b>IP Rating</b>	IP67
<b>Warranty</b>	Please refer to the Warranty Statement which is available for download on the website
<b>Certification</b>	ECE Reg 7 & 112, FMVSS 108 Table XVIII
<b>Pack Quantity</b>	1

## Additional Information

---



Headlight must be securely mounted and properly aimed such that the beam pattern cut off line complies with all applicable regulations. If you are not familiar with the legal requirements for aiming your headlights, please see a professional service provider. We recommend that headlights are aimed with a headlight aiming system for proper alignment.