

# LED Front Indicator Kit (For Jeep) – Model 239 J2 Series

## 0346493

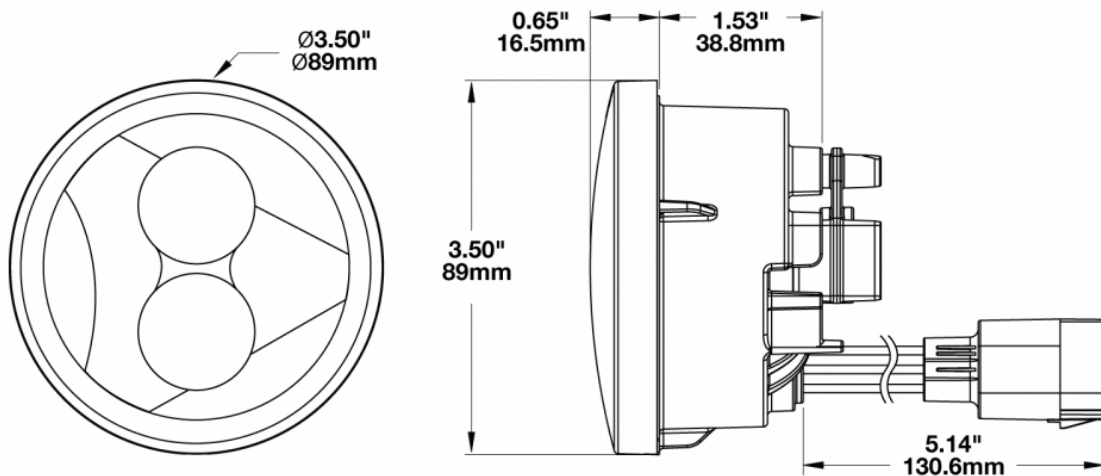


### Product Information

<b>Description</b>	Model 239 J2 - 12V LED Front Indicator Kit (For Jeep) - Clear
<b>Height</b>	89.00 mm / 3.5 in
<b>Width</b>	89.00 mm / 3.5 in
<b>Depth</b>	56.00 mm / 2.2 in
<b>Shape</b>	Round
<b>Outer Lens Material</b>	Acrylic
<b>Outer Lens Color</b>	Clear
<b>Housing Color</b>	Black
<b>Mounting Hardware Description</b>	(x1) JK Mounting Bracket w/ SS bolt
<b>Retrofits</b>	Factory Jeep JK Front Turn Signals
<b>Minimum Operating Temperature</b>	-40 °C
<b>Maximum Operating Temperature</b>	60 °C
<b>Connector or Wiring</b>	Leads with Connector
<b>Mating Connector</b>	Delphi 13590270
<b>Shipping Weight</b>	1.36 lbs / 0.62 kgs



### Product Dimensions



## Electrical Specifications



<b>Input Voltage</b>	12V DC
<b>Operating Voltage</b>	9-16V DC
<b>Current Draw</b>	0.09A @ 12V DC (Front Position) 1.91A @ 12V DC (Turn)

## Photometric Specifications



<b>Beam Pattern(s)</b>	Signalization - Front Position Signalization - Turn (Front)
------------------------	--

## Additional Specifications



<b>IP Rating</b>	IP67
<b>Warranty</b>	Please refer to the Warranty Statement which is available for download on the website
<b>Certification</b>	ECE Reg 6, SAEJ588, FMVSS 108 Table VI
<b>Pack Quantity</b>	2