

LED Front Indicator Kit (For Jeep) – Model 239 J2 Series

0346483

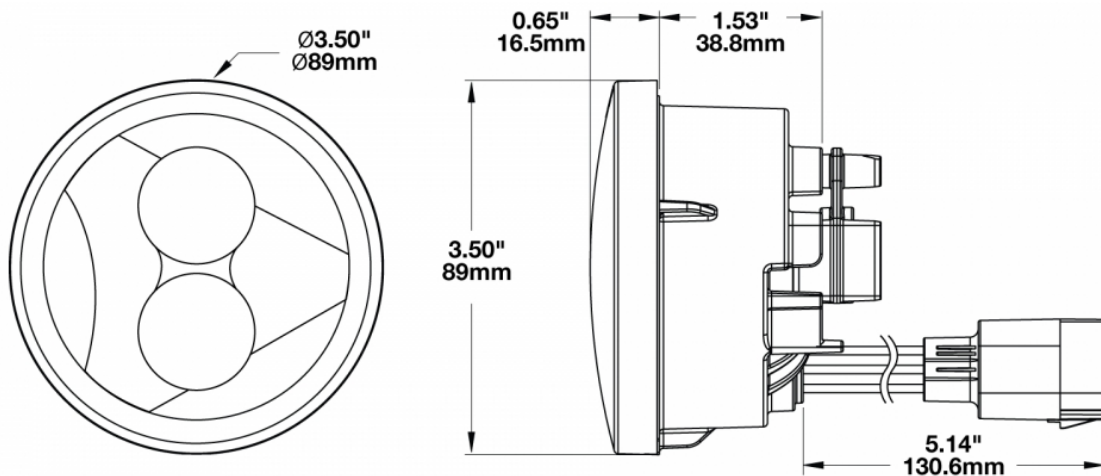


Product Information

Description	Model 239 J2 - 12V LED Front Indicator Kit (For Jeep) - Amber
Height	89.00 mm / 3.5 in
Width	89.00 mm / 3.5 in
Depth	56.00 mm / 2.2 in
Shape	Round
Outer Lens Material	Acrylic
Outer Lens Color	Amber
Housing Color	Black
Mounting Hardware Description	(x1) JK Mounting Bracket w/ SS bolt
Retrofits	Factory Jeep JK Front Turn Signals
Minimum Operating Temperature	-40 °C
Maximum Operating Temperature	60 °C
Connector or Wiring	Leads with Connector
Mating Connector	Delphi 13590270
Shipping Weight	1.36 lbs / 0.62 kgs



Product Dimensions



Electrical Specifications



Input Voltage	12V DC
Operating Voltage	9-16V DC
Current Draw	0.09A @ 12V DC (Front Position) 1.91A @ 12V DC (Turn)

Photometric Specifications



Beam Pattern(s)	Signalization - Front Position Signalization - Turn (Front)
------------------------	--

Additional Specifications



IP Rating	IP67
Warranty	Please refer to the Warranty Statement which is available for download on the website
Certification	ECE Reg 6, SAEJ588, FMVSS 108 Table VI
Pack Quantity	2