

# LED Signal Light – Model 223

## 0341711

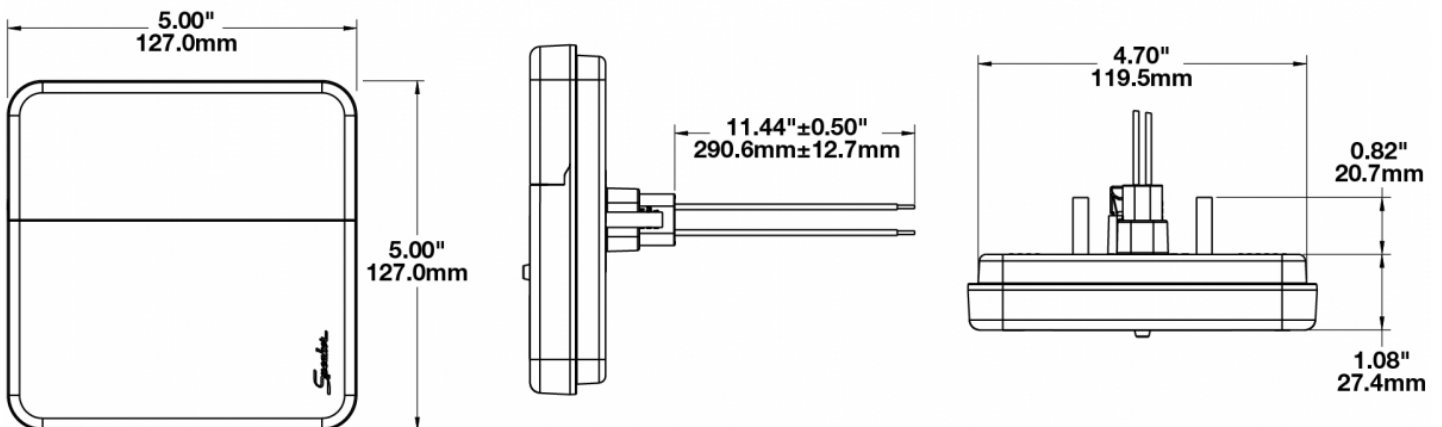


### Product Information

<b>Description</b>	Model 223 - 12/24V LED Signal Light - White/Amber (Front Position & Turn Signal)
<b>Height</b>	127.00 mm / 5 in
<b>Width</b>	127.00 mm / 5 in
<b>Depth</b>	48.26 mm / 1.9 in
<b>Shape</b>	Square
<b>Outer Lens Material</b>	Acrylic
<b>Housing Material</b>	ABS
<b>Housing Color</b>	Black
<b>Mounting Hardware Description</b>	(x2) M6-1 x 25 Mounting Bolts
<b>Mounting Type</b>	Low Profile Mount
<b>Minimum Operating Temperature</b>	-40 °C
<b>Maximum Operating Temperature</b>	65 °C
<b>Connector or Wiring</b>	Integrated 4-Pin Deutsch Socket (DT04-4P)
<b>Mating Connector</b>	4-Pin Deutsch Plug (DT06-4S)
<b>Product Weight</b>	0.46 lbs / 0.21 kgs
<b>Shipping Weight</b>	0.46 lbs / 0.21 kgs



### Product Dimensions



## Electrical Specifications



<b>Input Voltage</b>	12-24V DC
<b>Black Wire</b>	Ground
<b>White Wire</b>	Position
<b>Yellow Wire</b>	Turn
<b>Current Draw</b>	2.250 A @ 12V DC (Turn) 0.250 A @ 12V DC (Front Position)

## Photometric Specifications



<b>Beam Pattern(s)</b>	Signalization - Front Position Signalization - Turn (Front) Signalization - Turn (Rear)
------------------------	---

## Additional Specifications



<b>IP Rating</b>	IP67
<b>Warranty</b>	Please refer to the Warranty Statement which is available for download on the website
<b>Pack Quantity</b>	1