

NX3 - Zone Lighting

NX341

Product Information

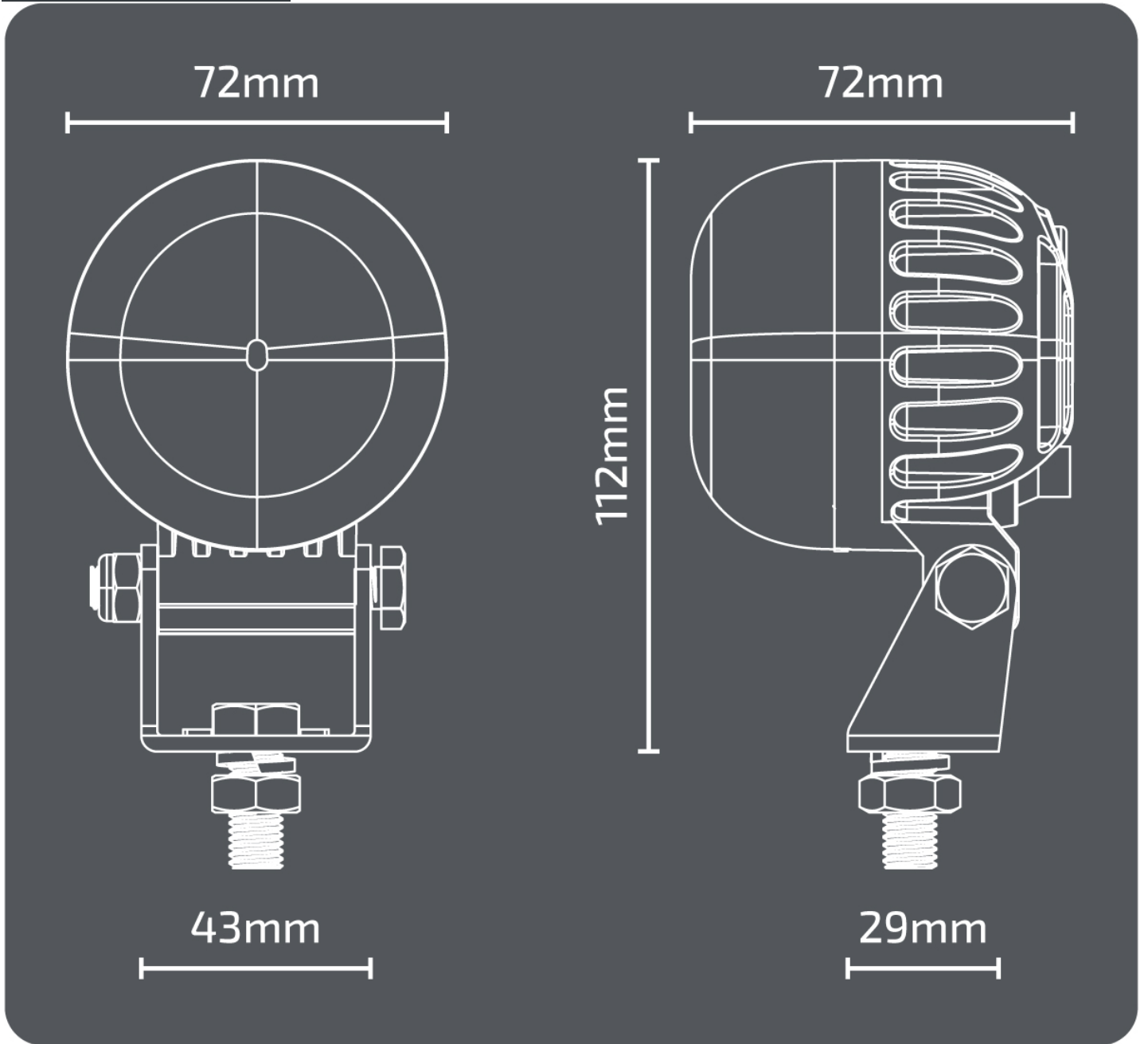


Description	LED Arc Zone Light - 12/80V - Red
Height	112 mm / 4.41 in
Width	72 mm / 2.83 in
Depth	72 mm / 2.83 in
Shape	Round
Outer Lens Material	Polycarbonate
Housing Material	Die-Cast Aluminum
Housing Color	Black
Mounting Type	Universal Pedestal Mount
Minimum Operating Temperature	-45 °C
Maximum Operating Temperature	85 °C
Connector or Wiring	25cm hardwire fly lead
Product Weight	1 lbs / 0.45 kgs



Product Dimensions





Electrical Specifications

Operating Voltage	12-80V DC
Wattage	5 W
Red Wire	Positive
Black Wire	Negative
Current Draw	0.3AA @ 13.8V DC 0.052AA @ 80V DC

Photometric Specifications



Additional Specifications



IP Rating	IPSpray - IP66, Submerge - IP68
Warranty	3 Years
Certification	EMI: CISPR 25 Class 4, ECE R10
Pack Quantity	1 LED Light