

Wiring Harness Kits & Accessories

NX220

Product Information

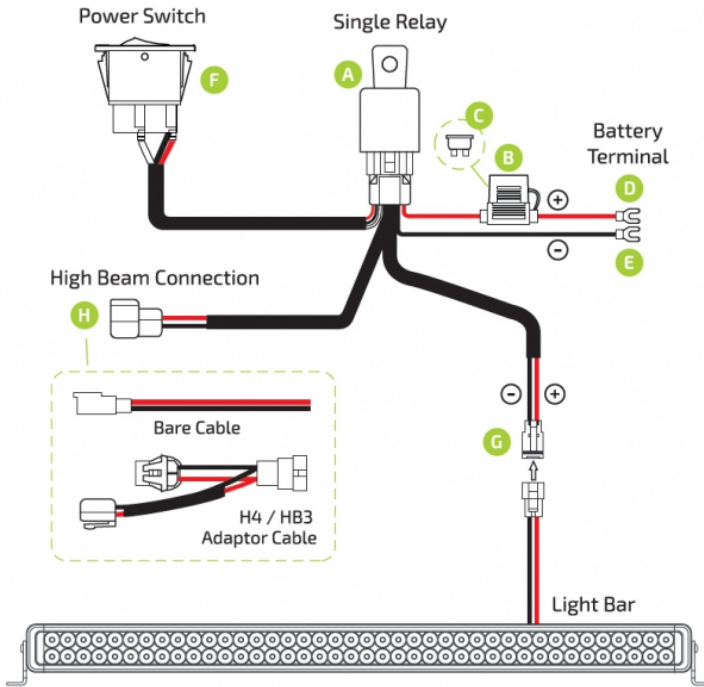
Description	12V & 24V Heavy Duty Wiring Harness Kit - For 1 x Light Bar with DT-P Connection
Height	260 mm / 10.24 in
Width	100 mm / 3.94 in
Depth	80 mm / 3.15 in
Shape	Rectangular
Connector or Wiring	2-Pin DT-P Connection
Shipping Weight	1.5 lbs / 0.68 kgs



Product Dimensions

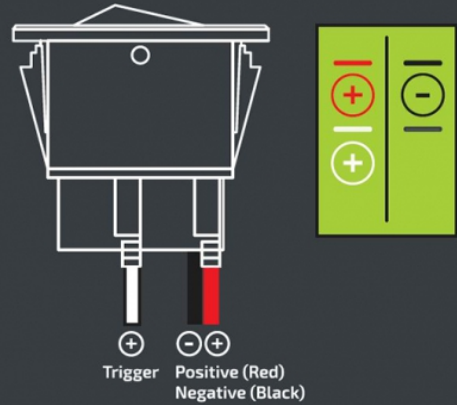
DESCRIPTION

- A** Relay (4-Pin 12V or 24V DC 40A)
 - B** Fuse Holder
 - C** Blade Fuse (30A)
 - D** Red Eyelet
 - E** Black Eyelet
 - F** 4-Pin Rocker Switch (Pre-Installed)
 - G** 2-Pin Deutsch DT-P Connector Socket
 - H** High Beam Connection
- Option 1:** Bare Cable (into high beam circuit)
Option 2: H4 / HB3 Adaptor Cable



NOTICE FOR SWITCH

- ▶ The switch comes pre-installed on this wiring harness
- ▶ If you want to use other switches instead, please make sure all three wires are connected correctly.



Electrical Specifications

Operating Voltage

12 & 24V DC

Photometric Specifications

Beam Pattern(s) Forward Lighting - Driving

Additional Specifications

Warranty 3 Years
Pack Quantity 1

Installation & Application Information

Suitable for higher wattage light bars such as:

NX851, NX842 & NX852