

LED Headlight Conversion Kit - Direct Fit

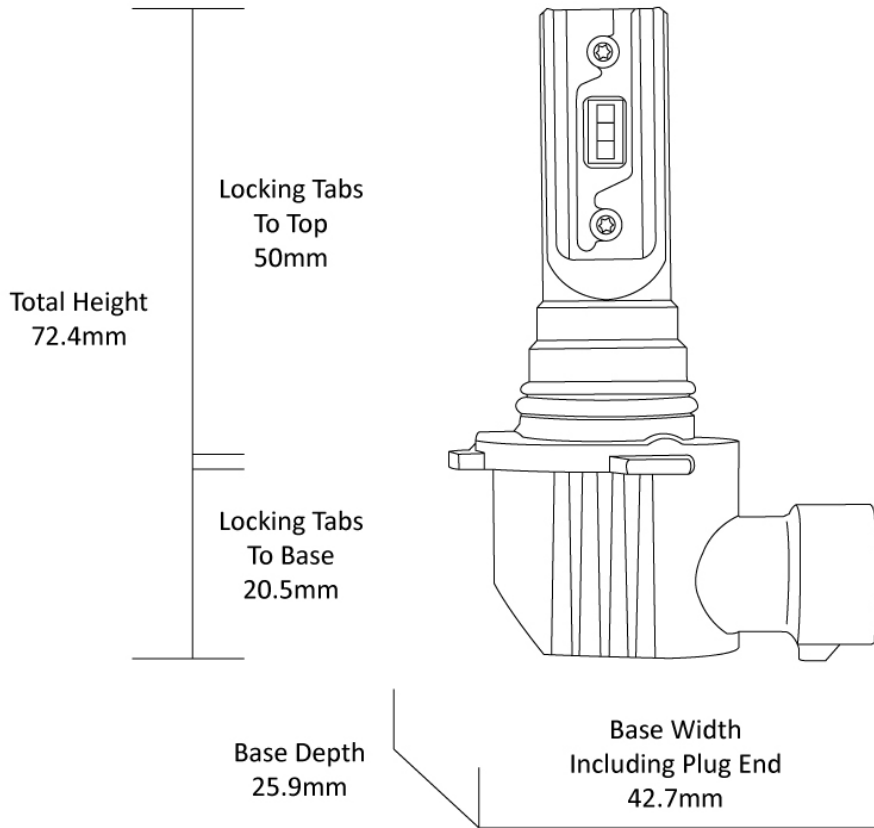
999005

Product Information

| | |
|--------------------------------------|---|
| Description | Direct Fit - 12/24V LED Bulb Kit 6000K - HB3 |
| Minimum Operating Temperature | -40 °C |
| Maximum Operating Temperature | 130 °C |
| Connector or Wiring | HB3 |



Product Dimensions



Electrical Specifications

| | |
|--------------------------|-----------|
| Input Voltage | 12-24V DC |
| Operating Voltage | 12-24V DC |

Photometric Specifications

Effective Lumen Output 1800 per bulb

Nominal LED Color Temperature 6000 K

Additional Specifications

IP Rating IP65

Warranty 2 Year - Standard driving conditions:
For normal day to day driving &
recreational 4x4.

Pack Quantity 2