

# Direct Fit Plus - LED Headlight Kit – Halogen Replacement

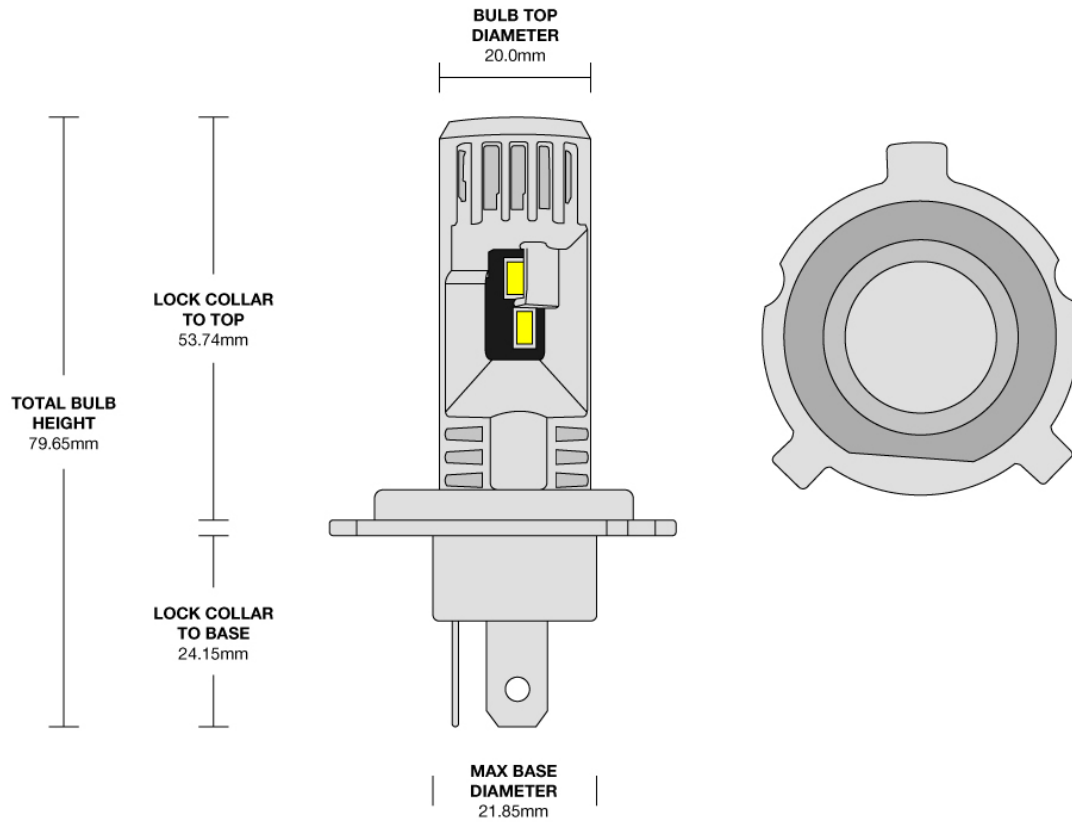
## 999004DFP

### Product Information

<b>Description</b>	Direct Fit Plus - 12V LED Bulb Kit 5700K - H4 / H19
<b>Minimum Operating Temperature</b>	-40 °C
<b>Maximum Operating Temperature</b>	130 °C
<b>Connector or Wiring</b>	H4



## Product Dimensions



## Electrical Specifications

<b>Input Voltage</b>	12VV DC
<b>Operating Voltage</b>	12-16VV DC
<b>Wattage</b>	26 W

## Photometric Specifications

<b>Raw Lumen Output</b>	2200 per bulb
<b>Nominal LED Color Temperature</b>	5700 K

## Additional Specifications

---



<b>IP Rating</b>	IP65
<b>Warranty</b>	2 Year - Standard driving conditions: For normal day to day driving & recreational 4x4.
<b>Pack Quantity</b>	2