

Direct Fit - LED Headlight Kit – Xenon HID Replacement

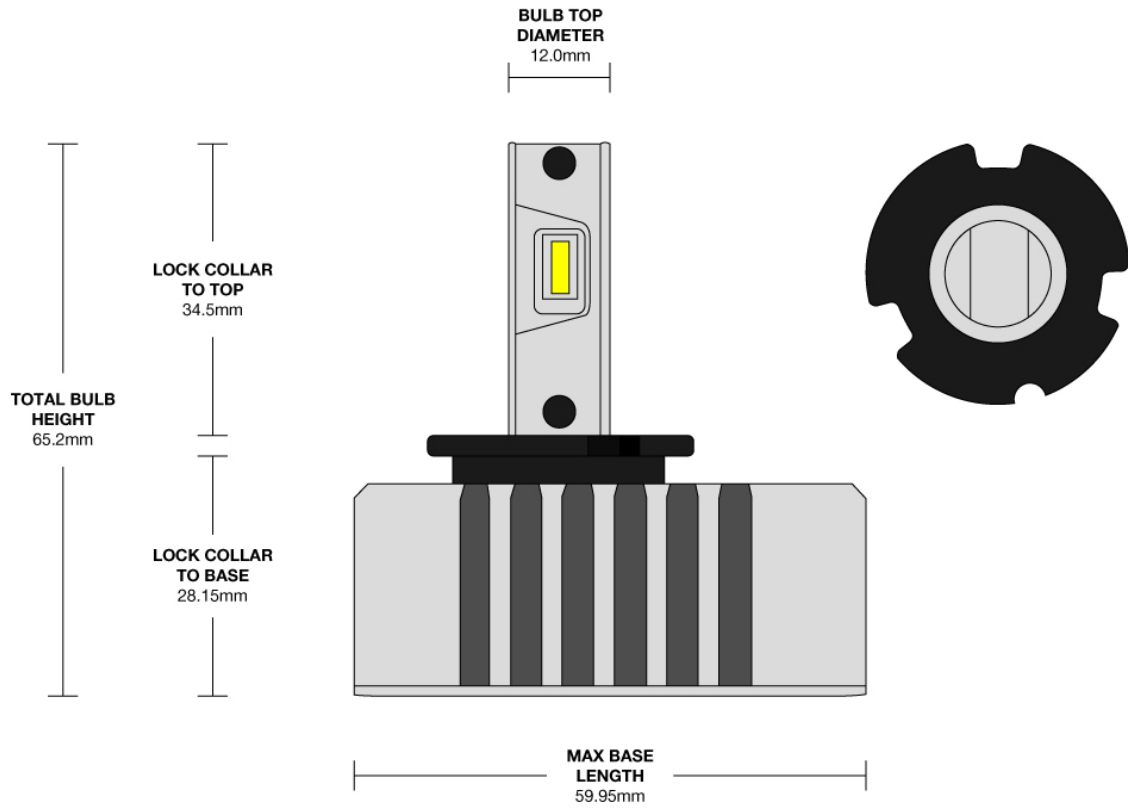
999000D5

Product Information

Description	Direct Fit - 12/24V LED Bulb Kit 5700K - D5S/R Xenon Replacement
Housing Material	Die-Cast Aluminum
Minimum Operating Temperature	-40 °C
Maximum Operating Temperature	130 °C
Connector or Wiring	D5S & D5R



Product Dimensions



Electrical Specifications

Input Voltage	12-24V DC
Operating Voltage	12-24V DC

Photometric Specifications

Effective Lumen Output	3000 per bulb
Nominal LED Color Temperature	5700 K

Additional Specifications



IP Rating	IP65
Warranty	2 Year - Standard driving conditions: For normal day to day driving & recreational 4x4.
Pack Quantity	2