

# LED Strobe Lights – Model 406

# 8200213

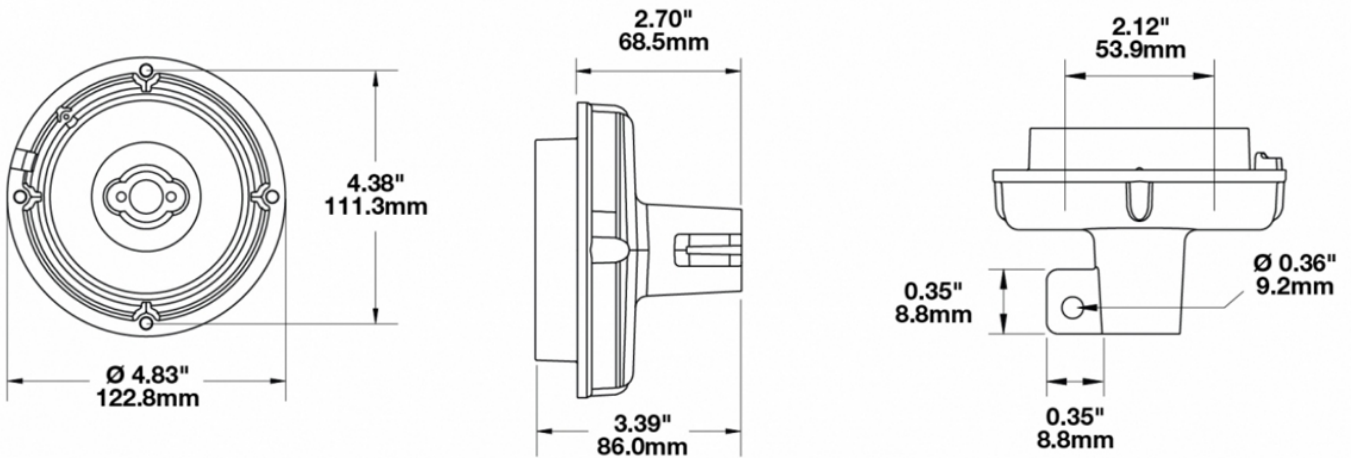
## Product Information



<b>Description</b>	Model 406/407 - LED Strobe DIN Pole Mount
<b>Height</b>	86.15 mm / 3.39 in
<b>Width</b>	122.75 mm / 4.83 in
<b>Depth</b>	122.75 mm / 4.83 in
<b>Shape</b>	Round
<b>Housing Material</b>	Nylon
<b>Housing Color</b>	Black
<b>Minimum Operating Temperature</b>	-40 °C
<b>Maximum Operating Temperature</b>	60 °C
<b>Connector or Wiring</b>	ISO 4165 plug
<b>Mating Connector</b>	ISO 4165 socket
<b>Product Weight</b>	0.50 lbs / 0.23 kgs
<b>Shipping Weight</b>	0.73 lbs / 0.33 kgs



## Product Dimensions



## Additional Specifications

### Warranty

Please refer to the Warranty Statement which is available for download on the website

### Pack Quantity

1

## Additional Information

This DIN Pole Mount allows the use of the Model 406 & 407 strobe light to be mounted to a pole with an ISO 4165 socket.

DIN Pole Mount accessory Includes: (4) screw mounts to secure directly to strobe light housing.