

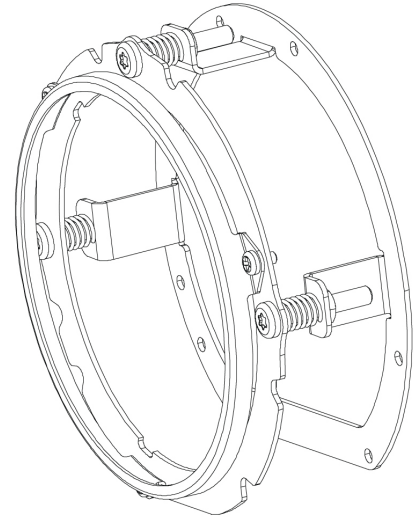
LED Headlight – Model 8630 Evolution

8200071

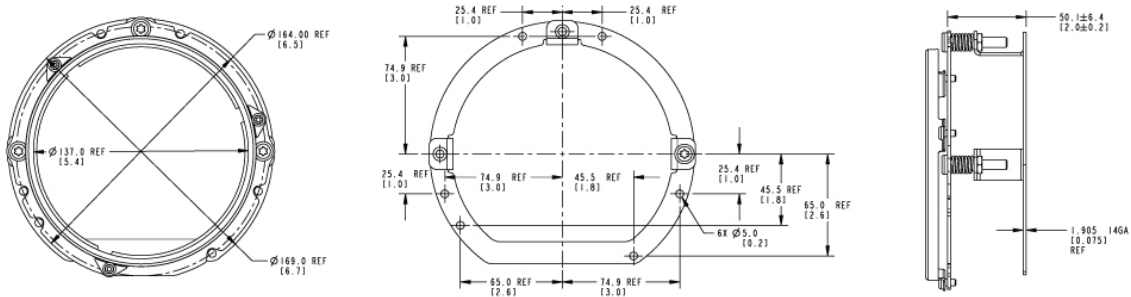
Product Information

Description

Model 8630 - Mounting Assembly -
Single Ring Kit to suit Fire Truck



Product Dimensions



Additional Specifications



Warranty

Please refer to the Warranty Statement which is available for download on the website

Pack Quantity

1