

LED Headlight – Model 8630 Evolution

3157751

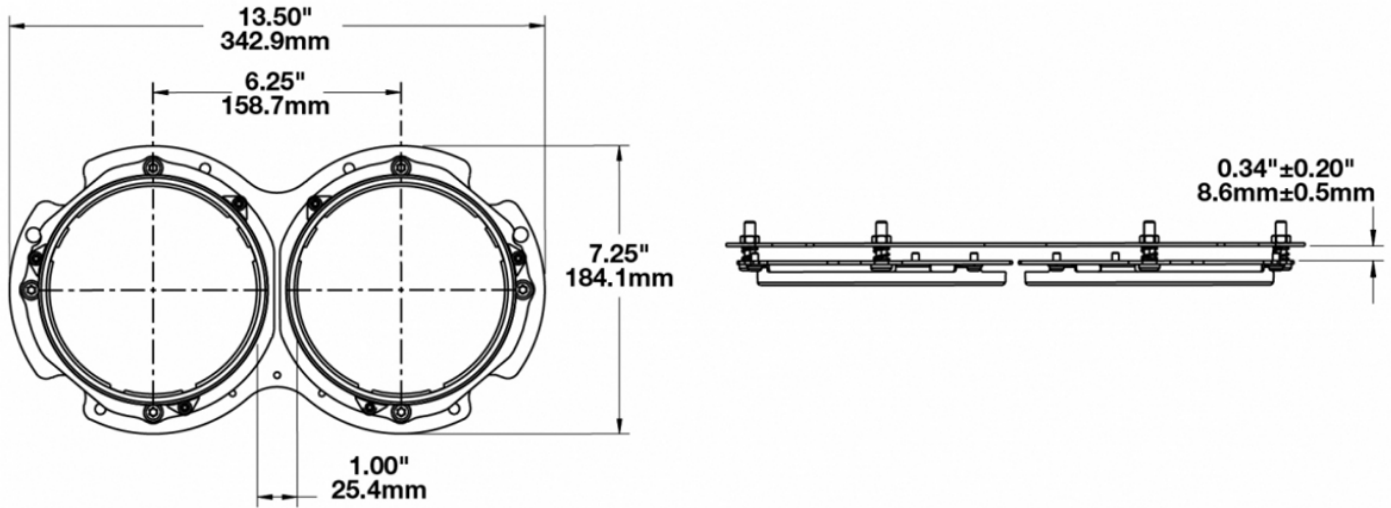
Product Information



| | |
|------------------------|---|
| Description | Model 8630 - Mounting Assembly - Double Ring Kit |
| Height | 184.1 mm / 7.25 in |
| Width | 342.9 mm / 13.5 in |
| Product Weight | 1.45 lbs / 0.66 kgs |
| Shipping Weight | 2.06 lbs / 0.93 kgs |



Product Dimensions



Additional Specifications

Warranty

Please refer to the Warranty Statement which is available for download on the website

Pack Quantity

1