

LED Compact Work Light – Model 892

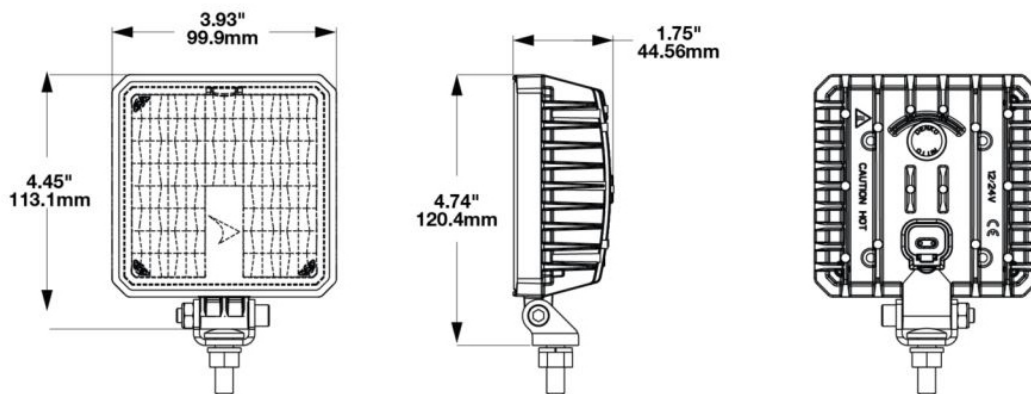
1603961

Product Information

Description	Model 892 - LED Compact Work Light - 12/24V
Height	120.40 mm / 4.74 in
Width	99.90 mm / 3.93 in
Depth	44.56 mm / 1.75 in
Shape	Square
Outer Lens Material	Polycarbonate
Outer Lens Color	Clear
Housing Color	Black
Mounting Hardware Description	(x1) 5/16"-18 x 1.00" Mounting Bolt Bracket
Minimum Operating Temperature	-40 °C
Maximum Operating Temperature	60 °C
Mating Connector	Deutsch DT06-2S-E003
Product Weight	0.90 lbs / 0.41 kgs
Shipping Weight	1.03 lbs / 0.47 kgs



Product Dimensions

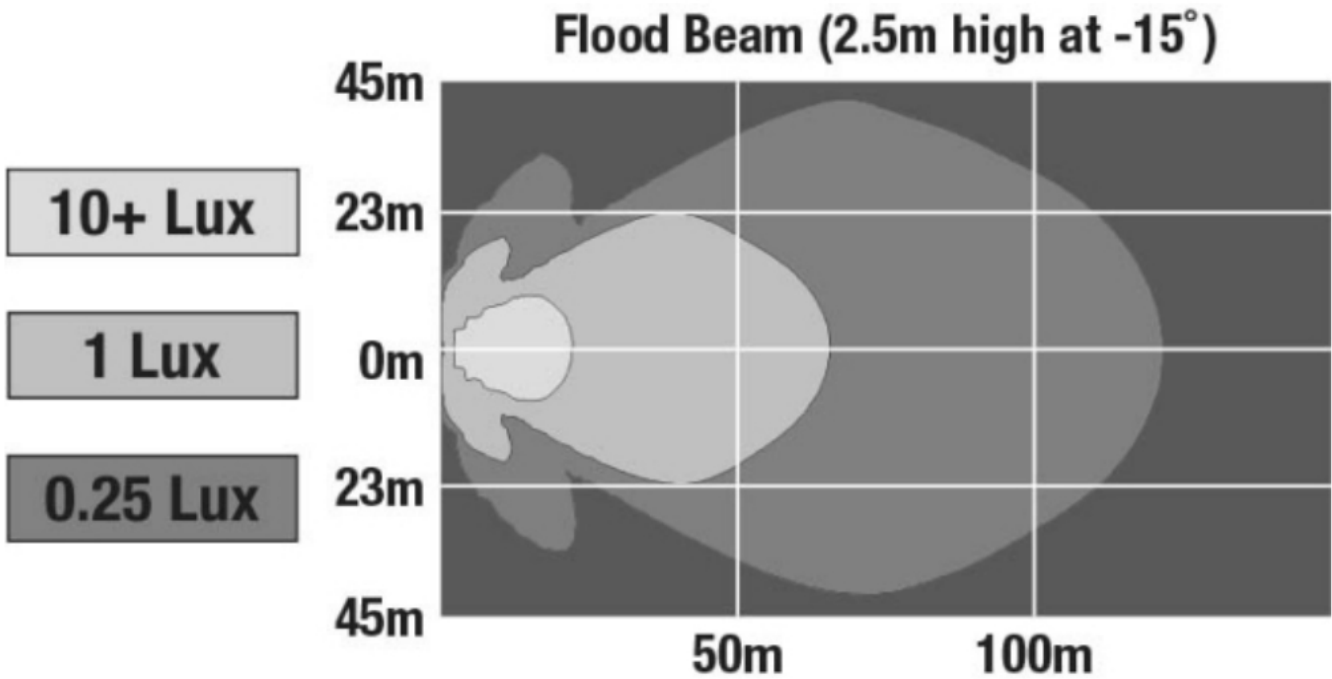


Electrical Specifications

Input Voltage	12-24V DC
Operating Voltage	9-30V DC
Transient Spike Protection	330V Peak @ 1 HZ-100 Pulses
Red Wire	Power
Black Wire	Ground
Current Draw	4.38A @ 12V DC (Power) 1.84A @ 24V DC (Power)

Photometric Specifications

Raw Lumen Output	6372
Effective Lumen Output	3800
Candela Output	5839
Nominal LED Color Temperature	5000 K



Additional Specifications



IP Rating	IP67 & 69K
Warranty	Please refer to the Warranty Statement which is available for download on the website
Pack Quantity	1