

LED Forklift Warning Light and ARC Safety Light - Model 777

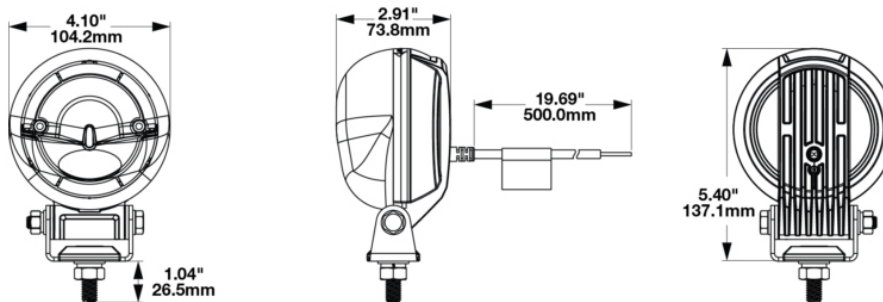
1403561

Product Information

Description	Model 777 - 12/72V ARC Warning Lamp - BLUE
Height	137.10 mm / 5.4 in
Width	104.30 mm / 4.11 in
Depth	73.90 mm / 2.91 in
Shape	Round
Outer Lens Material	Polycarbonate
Outer Lens Color	Clear
Housing Material	Die-Cast Aluminum
Housing Color	Black
Bezel Color	Black
Mounting Hardware Description	M10-30mm M10 Stainless Steel
Minimum Operating Temperature	-40 °C
Maximum Operating Temperature	65 °C
Connector or Wiring	19.5" Bare Leads (tinned)
Product Weight	1.50 lbs / 0.68 kgs
Shipping Weight	1.50 lbs / 0.68 kgs



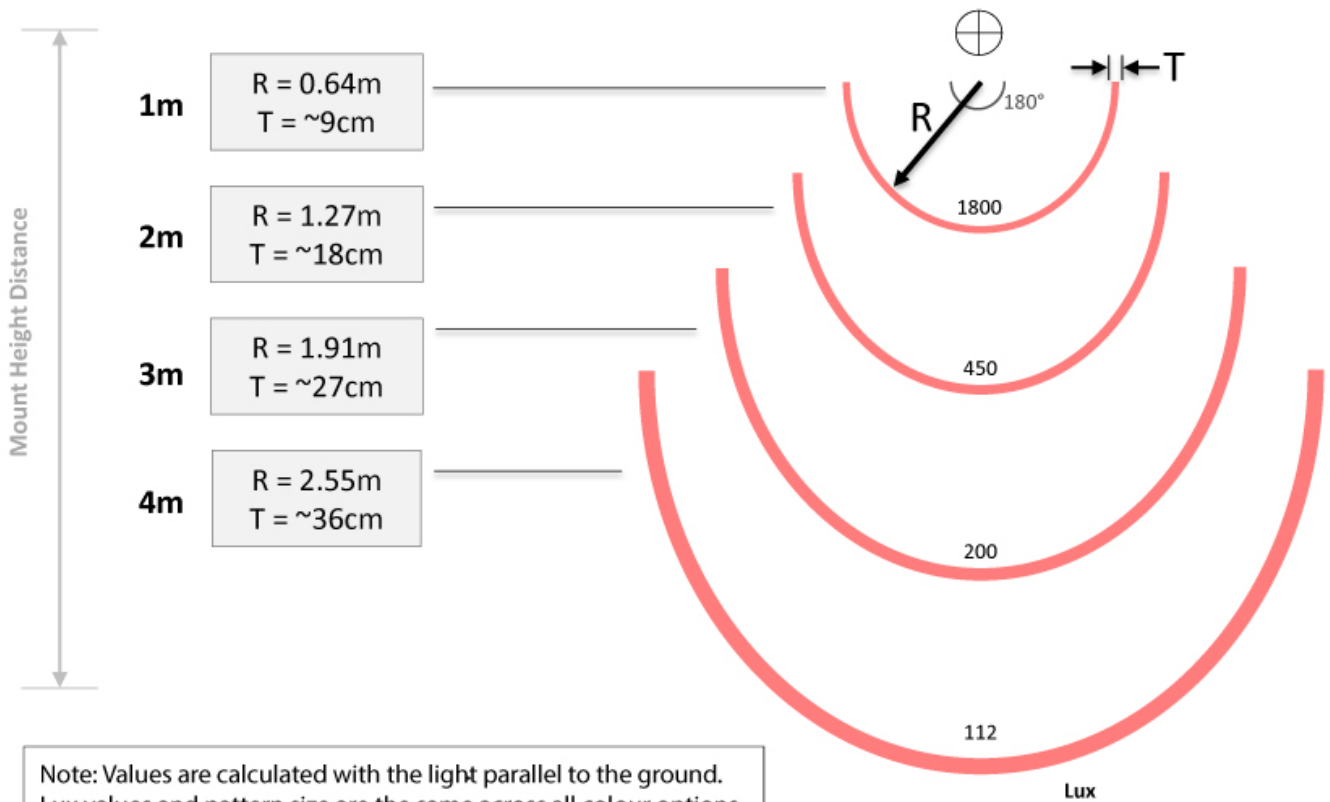
Product Dimensions



Electrical Specifications

Input Voltage	12-72V DC
Operating Voltage	10-80V DC
Black Wire	Ground
Red Wire	Power
Current Draw	1.30A @ 12V DC 0.65A @ 24V DC 0.43A @ 36V DC 0.33A @ 48V DC 0.26A @ 60V DC 0.22A @ 72V DC

Photometric Specifications



Additional Specifications



IP Rating	IP69K
Warranty	Please refer to the Warranty Statement which is available for download on the website
Pack Quantity	1