

# LED Compact Rectangular Work Light – Model 893

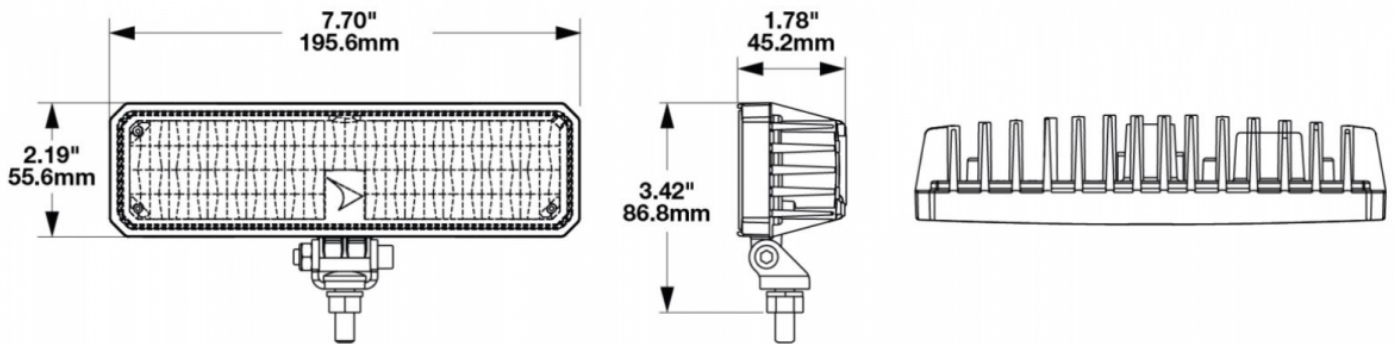
## 1300671

### Product Information

<b>Description</b>	Model 893 - LED Compact Work Light - 12/24V
<b>Height</b>	70.00 mm / 2.76 in
<b>Width</b>	196.00 mm / 7.72 in
<b>Depth</b>	45.00 mm / 1.77 in
<b>Shape</b>	Rectangular
<b>Outer Lens Material</b>	Polycarbonate
<b>Outer Lens Color</b>	Clear
<b>Housing Color</b>	Black
<b>Mounting Hardware Description</b>	(x1) 5/16"-18 x 1.00" Mounting Bolt Bracket
<b>Minimum Operating Temperature</b>	-40 °C
<b>Maximum Operating Temperature</b>	85 °C
<b>Mating Connector</b>	Deutsch DT06-2S-E003
<b>Product Weight</b>	1.02 lbs / 0.46 kgs
<b>Shipping Weight</b>	1.30 lbs / 0.59 kgs



### Product Dimensions

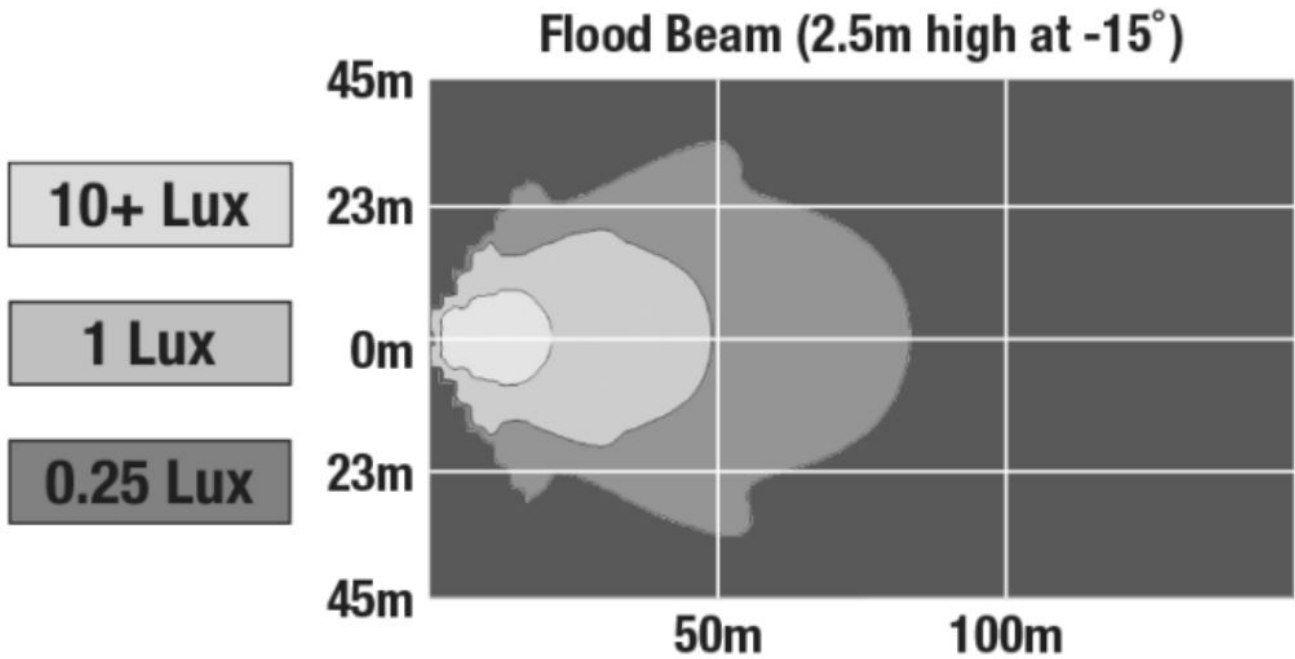


## Electrical Specifications

<b>Input Voltage</b>	9-32V DC
<b>Operating Voltage</b>	12-24V DC
<b>Transient Spike Protection</b>	330V Peak @ 1 HZ-100 Pulses
<b>Red Wire</b>	Power
<b>Black Wire</b>	Ground
<b>Current Draw</b>	4.5A @ 12V DC (Power) 1.8A @ 24V DC (Power)

## Photometric Specifications

<b>Raw Lumen Output</b>	7120
<b>Effective Lumen Output</b>	3700
<b>Candela Output</b>	6230
<b>Nominal LED Color Temperature</b>	5000 K



## Additional Specifications

---



<b>IP Rating</b>	IP67 & 69K
<b>Warranty</b>	Please refer to the Warranty Statement which is available for download on the website
<b>Pack Quantity</b>	1