

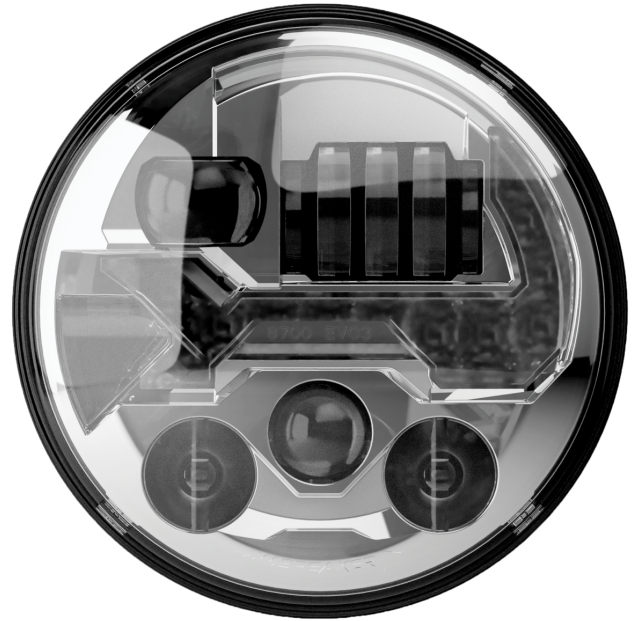
LED Headlights – Model 8700 EVO 3 (12V Only)

0558243

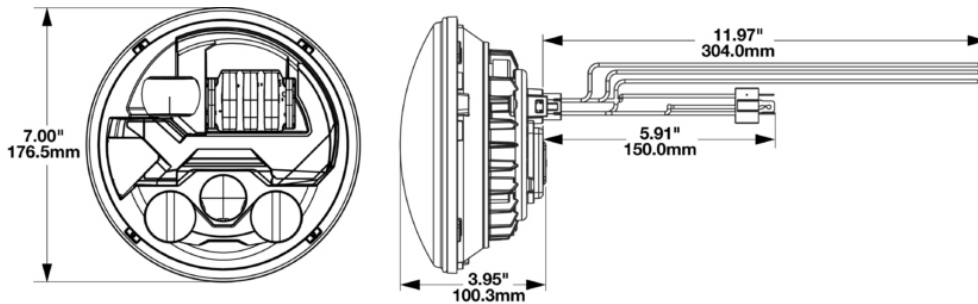


Product Information

| | |
|--------------------------------------|--|
| Description | Model 8700 EVO 3 - 12V LED Headlight Insert Kit - Chrome |
| Height | 176.50 mm / 6.95 in |
| Width | 176.50 mm / 6.95 in |
| Depth | 112.00 mm / 4.41 in |
| Shape | Round |
| Outer Lens Material | Polycarbonate |
| Outer Lens Color | Clear |
| Housing Material | Die-Cast Aluminum |
| Housing Color | Black |
| Bezel Color | Chrome |
| Retrofits | 7" Round Headlights or 2D1 PAR56 |
| Minimum Operating Temperature | -40 °C |
| Maximum Operating Temperature | 65 °C |
| Connector or Wiring | H4 / (3X) 11.97" Flying Leads |
| Product Weight | 5.10 lbs / 2.31 kgs |
| Shipping Weight | 5.90 lbs / 2.68 kgs |



Product Dimensions



Electrical Specifications



| | |
|--------------------------|---|
| Input Voltage | 12V DC |
| Operating Voltage | 9-16V DC |
| Black Wire | Ground |
| Yellow Wire | Low Beam |
| White Wire | High Beam |
| Brown Wire | Front turn |
| Red Wire | Position |
| Blue Wire | DRL |
| Current Draw | 2.33A @ 12V DC (Low Beam) 3.25A @ 12V DC (High Beam) 3.00A @ 12V DC (Front turn) 0.45A @ 12V DC (Position) 3.00A @ 12V DC (DRL) |

Photometric Specifications



| | |
|--------------------------------------|--------------------------------------|
| Raw Lumen Output | 3,600 (High Beam); 3,020 (Low Beam) |
| Effective Lumen Output | 1,320 (High Beam); 1,201 (Low Beam) |
| Candela Output | 68,800 (High Beam) 24,800 (Low Beam) |
| Nominal LED Color Temperature | 5500 K |

Additional Specifications



| | |
|----------------------|---|
| IP Rating | IP69K |
| Warranty | Please refer to the Warranty Statement which is available for download on the website |
| Certification | ECE Reg 7, 87 & 112 |
| Pack Quantity | 2 (Left & Right) |