

LED Light Inserts – Model 93

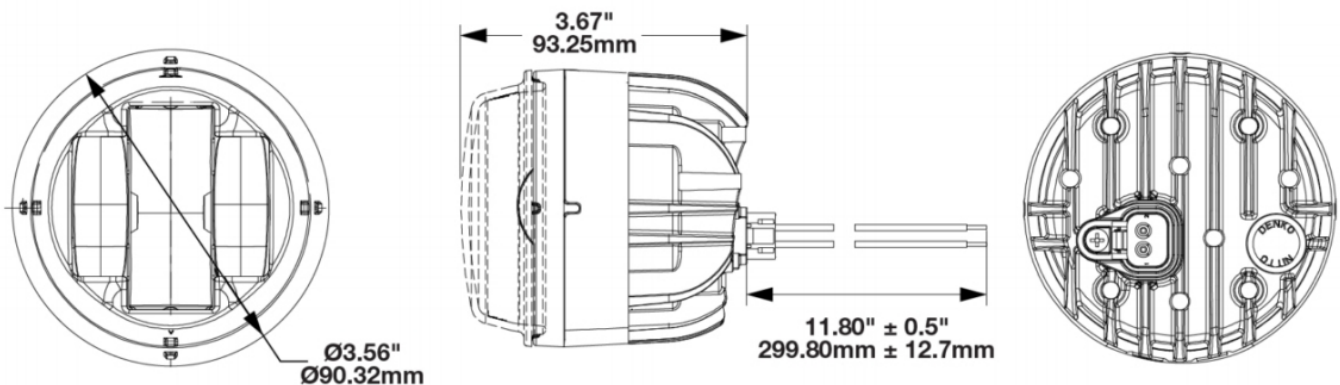
0553091

Product Information

Description	Model 93 - 12/24V LED Low Beam
Height	90.00 mm / 3.54 in
Width	90.00 mm / 3.54 in
Depth	95.00 mm / 3.74 in
Shape	Round
Outer Lens Material	Polycarbonate
Outer Lens Color	Clear
Housing Material	Die-Cast Aluminum
Housing Color	Black
Bezel Color	Black
Minimum Operating Temperature	-40 °C
Maximum Operating Temperature	65 °C
Connector or Wiring	Deutsch DT04-2P
Mating Connector	Deutsch DT06-2S
Product Weight	1.00 lbs / 0.45 kgs
Shipping Weight	1.20 lbs / 0.54 kgs



Product Dimensions



Electrical Specifications



Input Voltage	12-24V DC
Operating Voltage	10-31V DC
Red Wire	Positive
Black Wire	Negative
Current Draw	1.97A @ 12V DC (Low Beam) 0.98A @ 24V DC (Low Beam)

Photometric Specifications



Raw Lumen Output	1,910
Effective Lumen Output	575
Candela Output	18,500
Nominal LED Color Temperature	5000 K
Beam Pattern(s)	Forward Lighting - Low Beam (ECE Left Hand)

Additional Specifications



IP Rating	IP69K
Warranty	Please refer to the Warranty Statement which is available for download on the website
Pack Quantity	1