

LED Fog Light - Model 6150

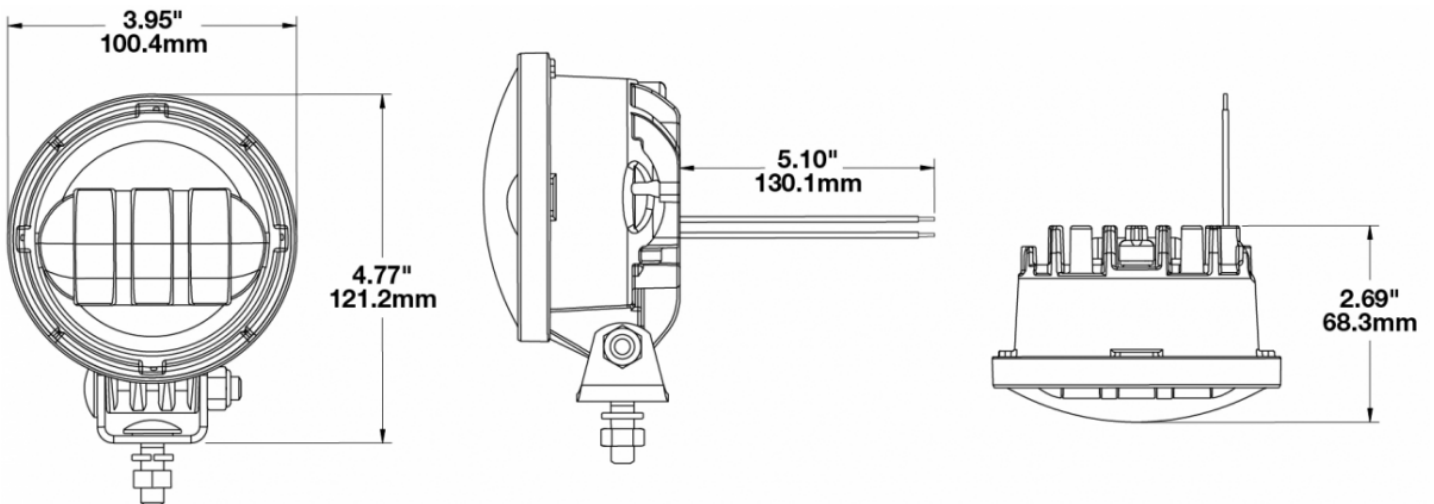
0547981

Product Information

Description	Model 6150 - 12V LED Pedestal Fog Light
Height	121.2 mm / 4.77 in
Width	100.4 mm / 3.95 in
Depth	68.3 mm / 2.69 in
Outer Lens Material	Hardcoated Polycarbonate
Housing Material	Die-Cast Aluminum
Housing Color	Black
Bezel Color	Black
Mounting Type	Universal Pedestal Mount
Connector or Wiring	Bare Wires



Product Dimensions



Electrical Specifications



Input Voltage	12V DC
Operating Voltage	12V DC
Red Wire	Positive
Black Wire	Negative
Current Draw	1.5A @ 12V DC

Photometric Specifications



Raw Lumen Output	1080
Effective Lumen Output	610
Beam Pattern(s)	Forward Lighting - Fog

Additional Specifications



IP Rating	IP67
Warranty	Please refer to the Warranty Statement which is available for download on the website
Certification	Sealed to IP67, ECE Reg 19 & SAE J583
Pack Quantity	1