

# LED Signal Lights – Model 270

# 0341361

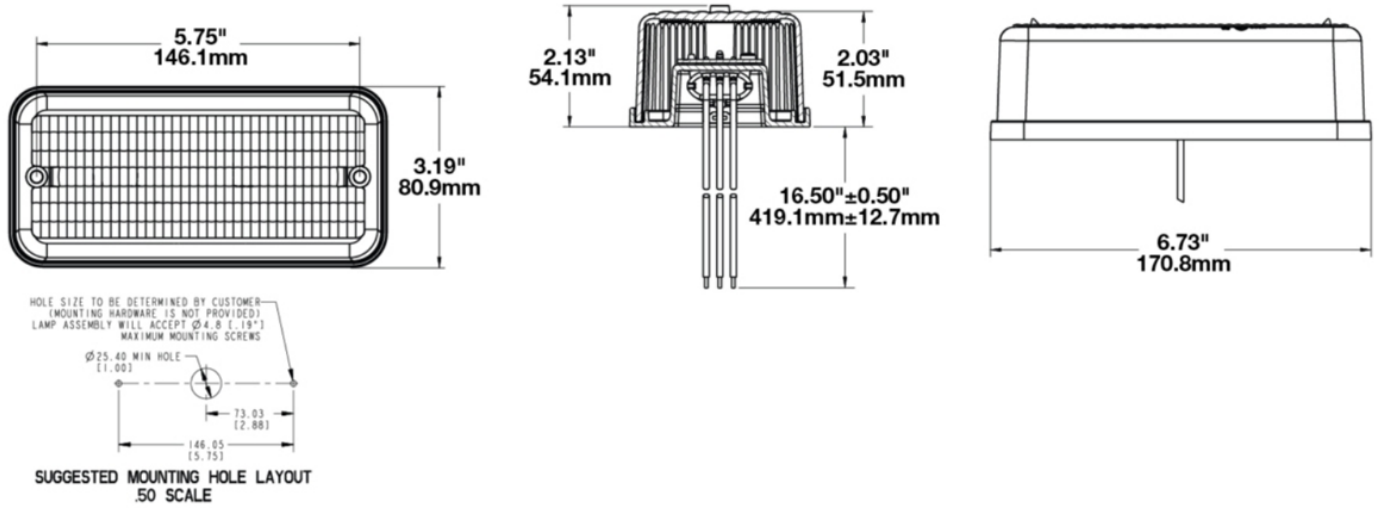


## Product Information

<b>Description</b>	Model 270 - 12V LED Signal Lamp - Red (Stop/Tail)
<b>Height</b>	81.03 mm / 3.19 in
<b>Width</b>	170.94 mm / 6.73 in
<b>Depth</b>	51.56 mm / 2.03 in
<b>Shape</b>	Rectangular
<b>Outer Lens Material</b>	Acrylic
<b>Outer Lens Color</b>	Red
<b>Housing Material</b>	ABS
<b>Housing Color</b>	Black
<b>Mounting Type</b>	Low Profile Mount
<b>Minimum Operating Temperature</b>	-40 °C
<b>Maximum Operating Temperature</b>	65 °C
<b>Connector or Wiring</b>	16" Bare Leads
<b>Product Weight</b>	0.48 lbs / 0.22 kgs
<b>Shipping Weight</b>	4.75 lbs / 2.15 kgs



## Product Dimensions



## Electrical Specifications

<b>Input Voltage</b>	12V DC
<b>White Wire</b>	Tail
<b>Red Wire</b>	Stop
<b>Black Wire</b>	Ground
<b>Current Draw</b>	0.070A @ 12V DC (Stop) 0.007A @ 12V DC (Tail)

## Photometric Specifications

<b>Beam Pattern(s)</b>	Signalization - Stop Signalization - Tail
------------------------	--

## Additional Specifications

---



<b>Warranty</b>	Please refer to the Warranty Statement which is available for download on the website
<b>Certification</b>	ECE Reg 7
<b>Pack Quantity</b>	1