

LED Signal Lights – Model 270

0341341



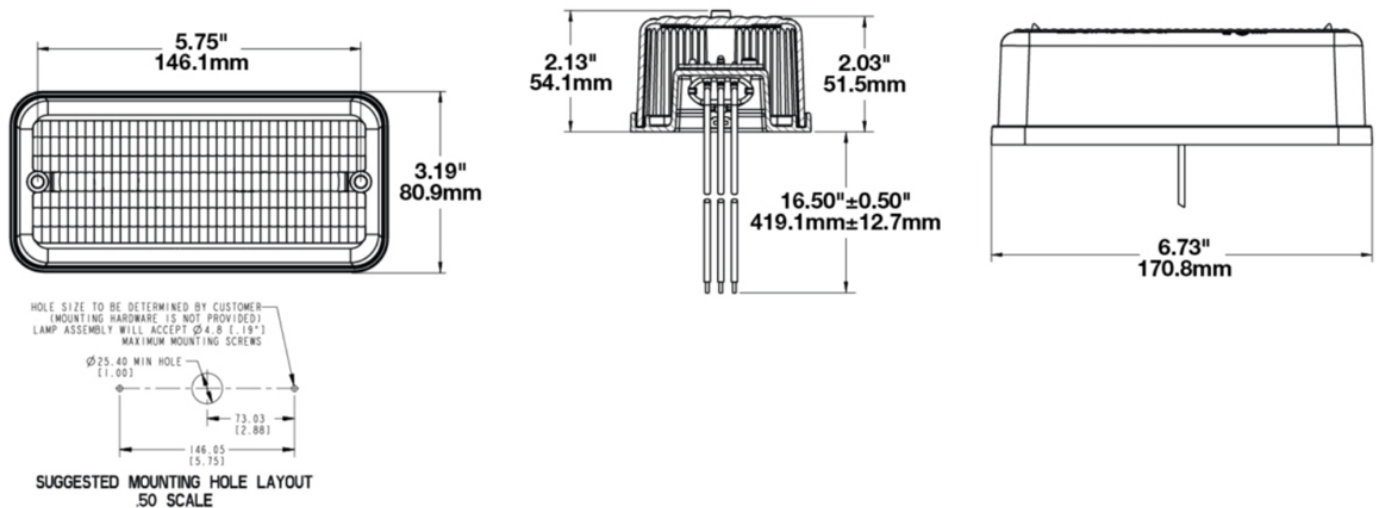
Product Information



Description	Model 270 - 12V LED Signal Lamp - Amber (Turn)
Height	81.03 mm / 3.19 in
Width	170.94 mm / 6.73 in
Depth	51.56 mm / 2.03 in
Shape	Rectangular
Outer Lens Material	Acrylic
Outer Lens Color	Amber
Housing Material	ABS
Housing Color	Black
Mounting Type	Low Profile Mount
Minimum Operating Temperature	-40 °C
Maximum Operating Temperature	65 °C
Connector or Wiring	6" Bare Leads
Product Weight	0.47 lbs / 0.21 kgs
Shipping Weight	1.80 lbs / 0.82 kgs



Product Dimensions



Electrical Specifications

Input Voltage	12V DC
Black Wire	Ground
Red Wire	Turn
Current Draw	0.5A @ 12V DC

Photometric Specifications

Beam Pattern(s)	Signalization - Turn (Front) Signalization - Turn (Rear)
------------------------	---

Additional Specifications

Warranty	Please refer to the Warranty Statement which is available for download on the website
Certification	ECE Reg 6
Pack Quantity	1