

LED Stop, Tail & Turn – Model 283

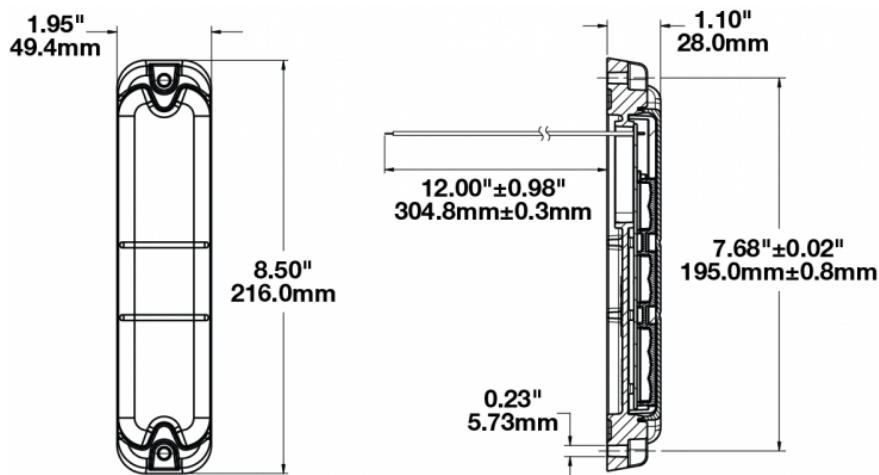
0339921

Product Information

Description	Model 283 - 12/24V LED Signal Light - Red & Amber (Stop, Tail, & Turn Signal)
Height	215.90 mm / 8.5 in
Width	49.53 mm / 1.95 in
Depth	27.94 mm / 1.1 in
Shape	Rectangular
Outer Lens Material	Polycarbonate
Outer Lens Color	Clear
Housing Material	ABS
Housing Color	Black
Mounting Type	Low Profile Mount
Minimum Operating Temperature	-40 °C
Maximum Operating Temperature	65 °C
Connector or Wiring	12" Bare Leads
Product Weight	0.65 lbs / 0.29 kgs



Product Dimensions



Electrical Specifications



Input Voltage	12-24V DC
Operating Voltage	12-24V DC
Red Wire	Stop
White Wire	Tail
Green Wire	Turn
Black Wire	Ground
Current Draw	0.151A @ 12V DC (Stop) 0.008A @ 12V DC (Tail) 0.161A @ 12V DC (Turn) 0.078A @ 24V DC (Stop) 0.008A @ 24V DC (Tail) 0.084A @ 24V DC (Turn)

Photometric Specifications



Beam Pattern(s)	Signalization - Stop Signalization - Tail Signalization - Turn (Front) Signalization - Turn (Rear)
------------------------	---

Additional Specifications



IP Rating	IP67
Warranty	Please refer to the Warranty Statement which is available for download on the website
Certification	ECE Reg 6 & 7
Pack Quantity	1