



Auxiliary

Auxiliary

734 Series
Page 62



282 Series
Page 63



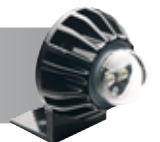
412 Series
Page 64



419 Series
Page 65



408 Series
Page 66



416 Series
Page 67





Auxiliary

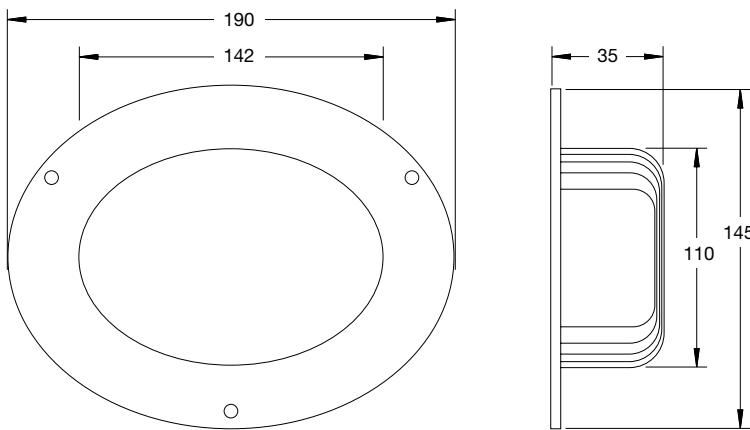
734 Series



Function:	Worklamp / Interior light
Size:	190 x 145mm
Lens:	Polycarbonate
Housing:	Die-Cast

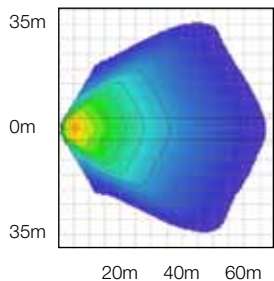
Product Specifications

Light Source:	LED (Light Emitting Diodes)
Raw:	2700 Lumens
Effective:	1400 Lumens
Input Voltage:	12 or 24V DC
Current Draw:	3.7 Amps @ 12V 1.7 Amps @ 24V
Standards:	Sealed to IP67 SAE J575-Sealed, shock & vibration
Connector:	Integrated 2-pin Deutsch weather-proof socket
Mounting:	Flush mount
Wiring:	Supplied with 2-pin Deutsch weather-proof plug with 300mm cable



Effective Lumens Isolux Charts

Flood (2.5m high at 15°)



Part No.	Pattern	Lens	Voltage	Light Output	Description
1705181	Flood	Polycarbonate	12V	White	Worklamp / Interior Light Flush mount
1705191	Flood	Polycarbonate	24V	White	Worklamp / Interior Light Flush mount



Auxiliary

282 Series



Function: Interior light

Size: 216 x 49mm

Lens: Acrylic

Housing: Reinforced Nylon

Product Specifications

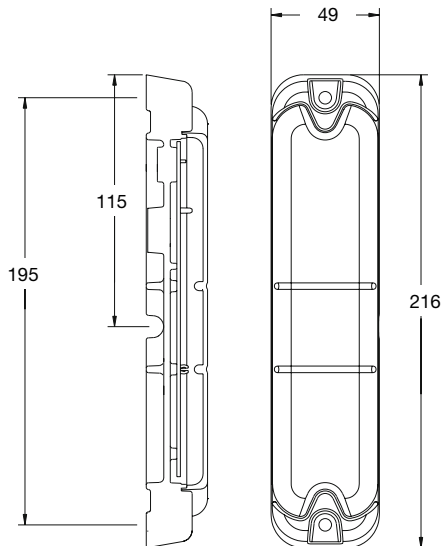
Light Source: LED (Light Emitting Diodes)

Input Voltage: 12-24V DC

Current Draw: 0.5 Amps @ 12/24 volts

Mounting: Universal mount

Wiring: Pre-wired with 150mm cable



Part No.	Lens	Voltage	Light Output	Description
0442092	Acrylic	12-24V	White	Interior light



Auxiliary

412 Series



Touch switch panel

Function: Interior light

Size: 165 x 57mm

Lens: Polycarbonate

Housing: Reinforced Nylon

Product Specifications

Light Source: LED (Light Emitting Diodes)

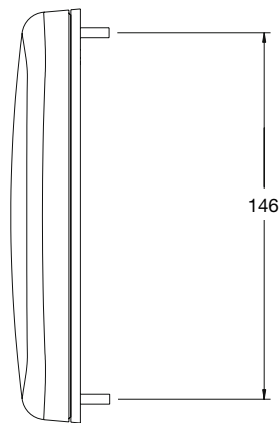
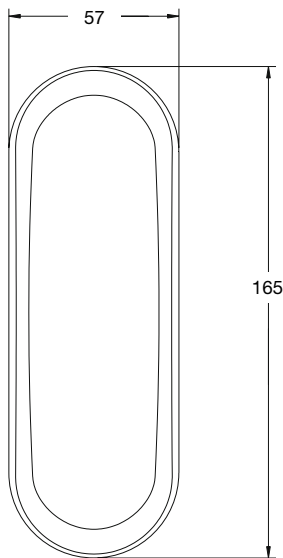
Input Voltage: 12-24V DC

Current Draw: 280 mAmps @ 12/24 volts

Standards: Sealed to IP67, UL recognised

Mounting: Universal mount

Wiring: Pre-wired with 150mm cable



Part No.	Lens	Voltage	Light Output	Description
0442512	Polycarbonate	12-24V	White	Interior light
0443012	Polycarbonate	12-24V	White	Interior light with thermal touch switch



Auxiliary

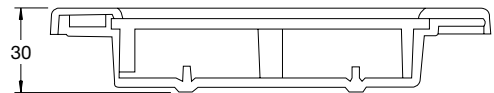
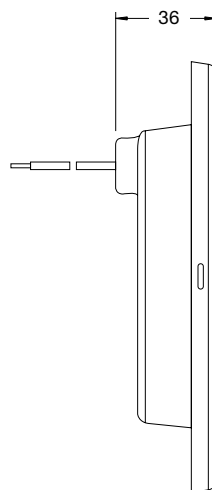
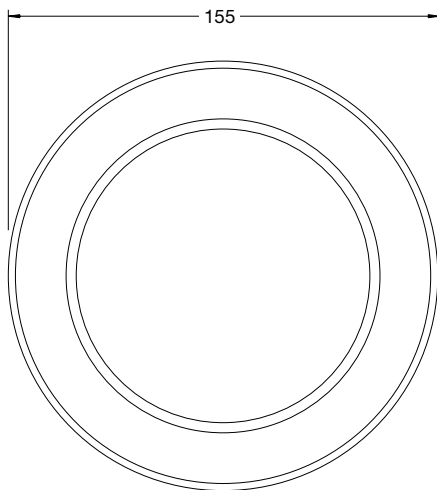
419 Series



Function:	Interior light
Size:	155mm round
Lens:	Polycarbonate
Housing:	Chrome ring

Product Specifications

Light Source:	LED (Light Emitting Diodes)
Input Voltage:	12-24V DC
Current Draw:	0.5 Amps @ 12/24 volts
Standard:	IP67
Mounting:	Universal flush mount
Wiring:	Pre-wired with 150mm cable



Part No.	Lens	Voltage	Light Output	Description
0442402	Polycarbonate	12-24V	White	Interior light
0442771	Polycarbonate	12-24V	White/Red	Interior light-Switchable white to red



Auxiliary

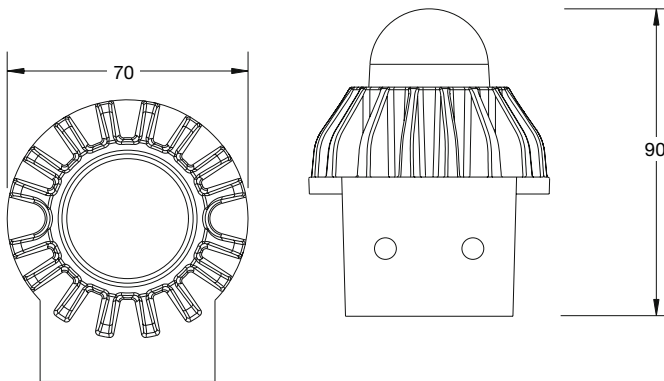
408 Series



Function:	LED Engine Light LED Compartment Light
Size:	70mm Round
Lens:	Tempered Glass
Housing:	Die-Cast

Product Specifications

Light Source:	LED (Light Emitting Diodes)
Input Voltage:	12-24V DC
Current Draw:	0.5 Amps @ 12/24 volts
Standard:	IP67, SAEJ575
Mounting:	Universal mount
Wiring:	Pre-wired with 150mm cable
Features:	Ideal for engine compartment light. This lamp will automatically shut down when temperatures exceed 115° C and will re-light when the temperature has reduced to 110° C or less.



Part No.	Lens	Voltage	Light Output	Description
0442502	Tempered Glass	12-24V	White	Engine compartment light



Auxiliary

416 Series



Function: LED Compartment Light
LED Step Light

Size: 113 x 43mm

Lens: Polycarbonate

Housing: Reinforced Nylon

Product Specifications

Light Source: LED (Light Emitting Diodes)

Input Voltage: 12-24V DC

Current Draw: 0.5 Amps @ 12/24 volts

Standard: IP67

SAE J575-Environmental

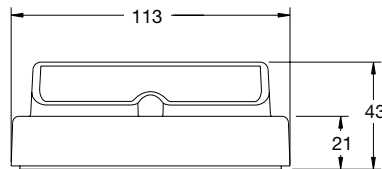
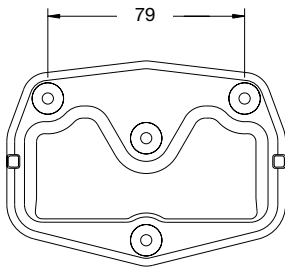
SAE J113/2-Electro magnetic compatability

SAE J113/4-Radio disturbance

SAE J1455-Environmental Practices

Mounting: Universal mount

Wiring: Pre-wired with 150mm cable



Part No.	Lens	Voltage	Light Output	Description
0442292	Polycarbonate	12-24V	White	Black body
0442302	Polycarbonate	12-24V	White	White body